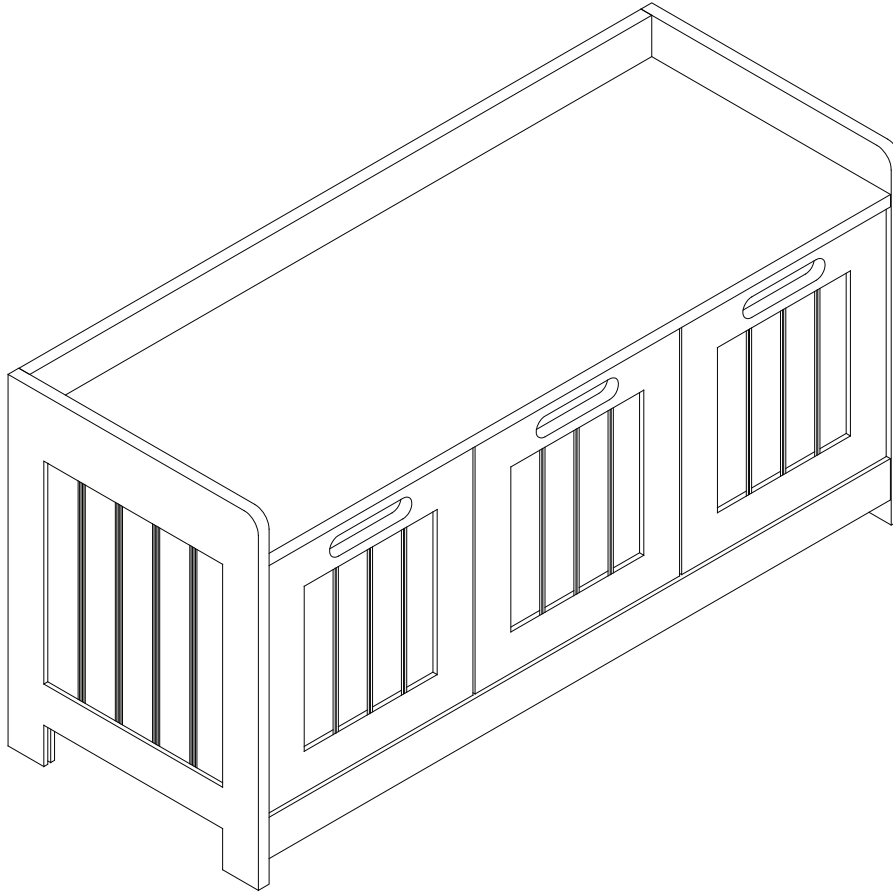


COLONIAL 3 DOOR STORAGE UNIT ASSEMBLY INSTRUCTIONS

Thank you for purchasing the COLONIAL 3 DOOR STORAGE UNIT.
Please read the instructions carefully to ensure safe operation of the product.



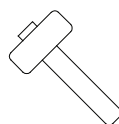
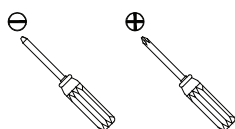
W900 x D350 x H450mm
COLOUR: WHITE

PLEASE READ this sheet prior to assembly to familiarise yourself with the various stages of construction.

Carefully open the pack supplied and check the contents against the parts and fittings check list. Do not destroy any of the packaging until you are certain that you have all the necessary parts for the assembly.

CAUTION: There are small components used in the construction of this unit. These loose items should be kept away from young children whilst assembling your unit to avoid the danger of choking hazards.

Tools Required:



COLONIAL 3 DOOR STORAGE UNIT ASSEMBLY INSTRUCTIONS

IMPORTANT - READ CAREFULLY - RETAIN THESE INSTRUCTIONS FOR FUTURE REFERENCE.

INFORMATION

- Due to the size of this product we recommend that it is assembled in the room intended for use.
- When you are ready to start, make sure that you have the right tools, plenty of space and a clean, dry area for assembly.
- Unwrap all packaging materials and place the components on top of the carton box or on a clean floor to prevent it from scratching.
- Check the pack and make sure you have all the parts listed.
- Ensure that this product is fully assembled as illustrated before use.
- Check all screws or bolts are tightened and inspect regularly
- Tools are not included.
- This product should only be used on firm, level ground.
- Keep small parts out of reach of children.
- Make sure the legs remain in contact with the ground.

WARNINGS

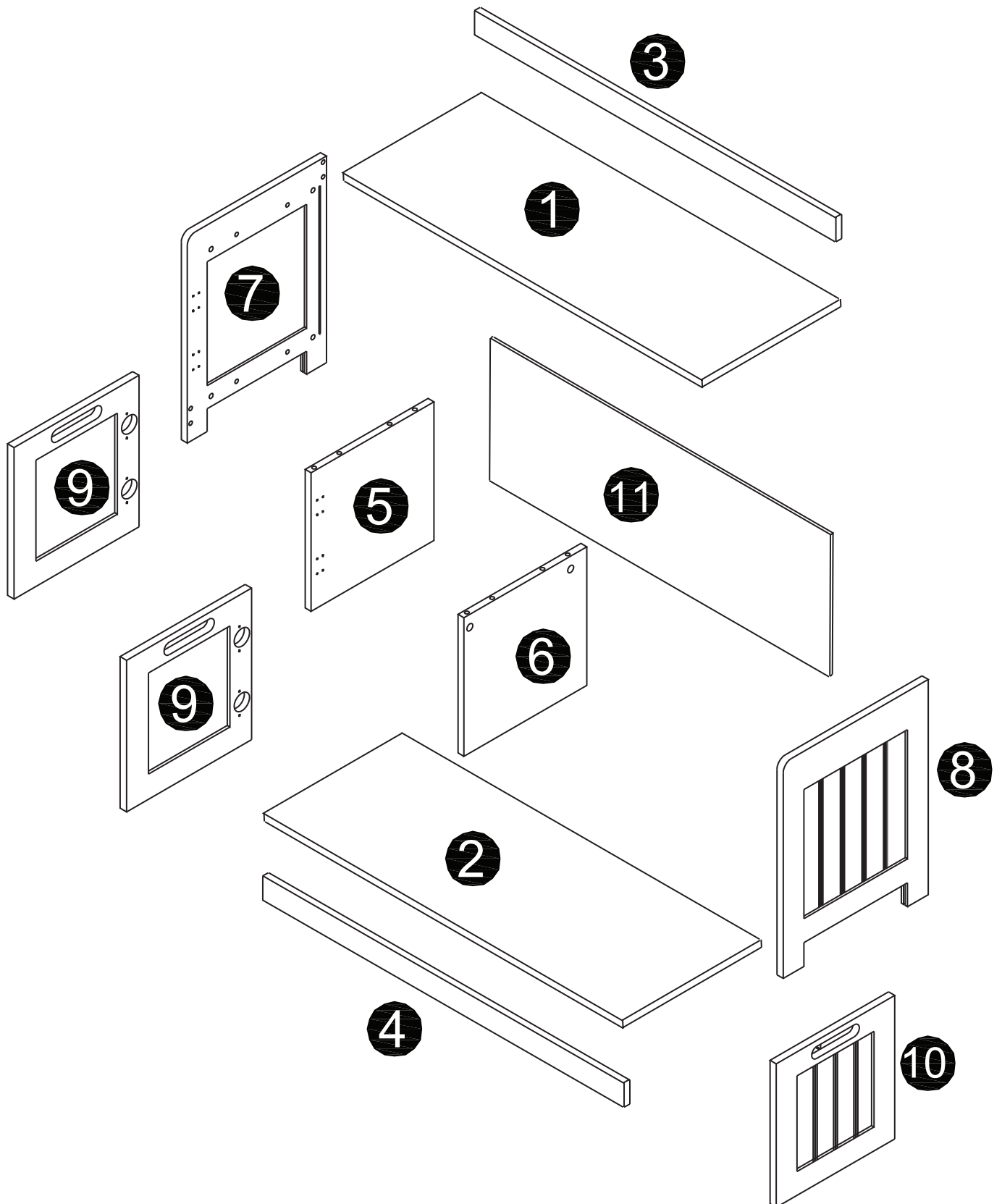
- DO NOT use power tools to construct this product.
- DO NOT tighten screws until fully assembled.
- DO NOT over tighten screws or bolts.
- DO NOT use this product if parts are missing, damaged or worn.
- DO NOT sit or stand on the product.

CARE INFORMATION

- Never use scourers, abrasives or chemical cleaners.
- To clean wipe with a sponge and warm soapy water. Do not use solvent based cleaners or detergents as they can bleach or damage the product.

COLONIAL 3 DOOR STORAGE UNIT ASSEMBLY INSTRUCTIONS

Please check the pack contents before assembling the product. If any components are missing, please contact your retailer. The fittings pack contains small items that should be kept away from small children.



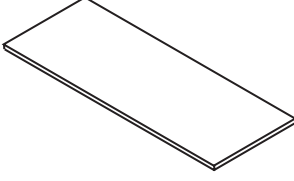
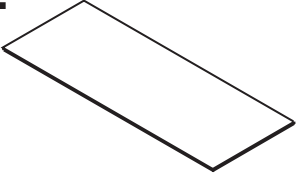
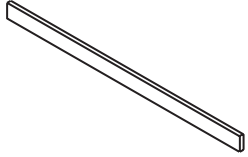
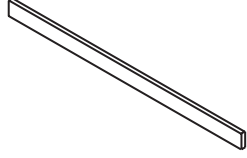
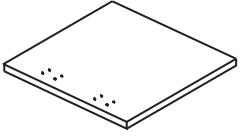
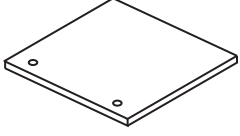
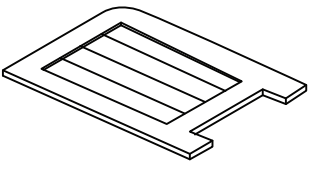
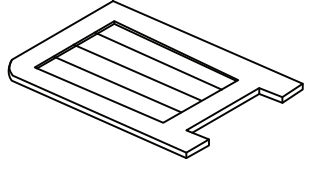
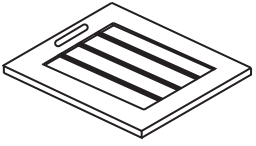
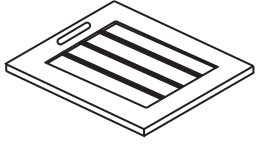
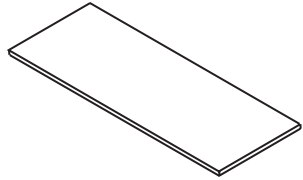
COLONIAL 3 DOOR STORAGE UNIT ASSEMBLY INSTRUCTIONS

Parts and Fittings Checklist

Please check the pack contents before assembling this product. If any components are missing, please contact your retailer.

The fittings pack contains small items that should be kept away from small children.

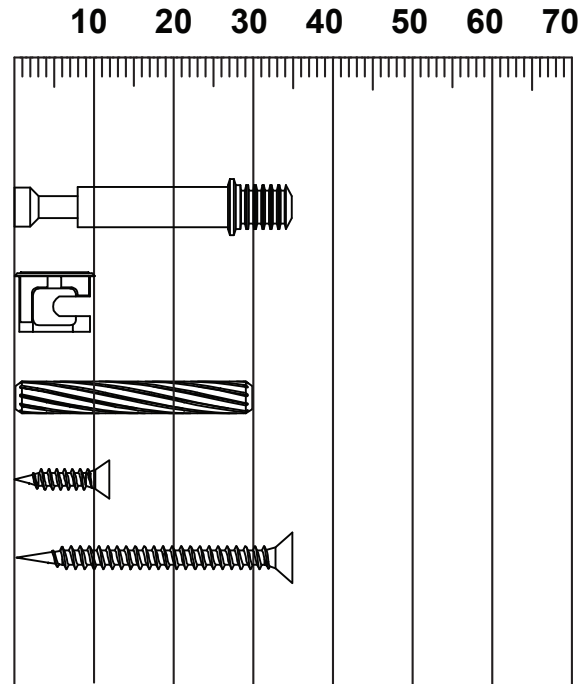
Parts

<p>1</p> 	<p>2</p> 	<p>3</p> 	<p>4</p> 
<p>Description: TOP PANEL Qty: 1PC Size:870×350×15MM</p>	<p>Description: BOTTOM PANEL Qty: 1PC Size:870×335×15MM</p>	<p>Description: TOP RAIL AND REVERSE Qty: 1PC Size:870×50×15MM</p>	<p>Description: BASE RAIL FRONT AND REVERSE Qty: 1PC Size:870×50×15MM</p>
<p>5</p> 	<p>6</p> 	<p>7</p> 	<p>8</p> 
<p>Description: LEFT INDIVIDUAL COMPARTMENT DIVIDER Qty: 1PC Size:310×308×15MM</p>	<p>Description: RIGHT INDIVIDUAL COMPARTMENT DIVIDER Qty: 1PC Size:310×308×15MM</p>	<p>Description: LEFT SIDE PANEL Qty: 1PC Size:450×350×15MM</p>	<p>Description: RIGHT SIDE PANEL Qty: 1PCS Size:450×350×15MM</p>
<p>9</p> 	<p>10</p> 	<p>11</p> 	
<p>Description: DOOR LEFT Qty: 2PCS Size:306×286×15MM</p>	<p>Description: DOOR RIGHT Qty: 1PC Size:306×386×15MM</p>	<p>Description: BACKBOARD/HARDBOARD Qty: 1PC Size:880×314×3MM</p>	

COLONIAL 3 DOOR STORAGE UNIT ASSEMBLY INSTRUCTIONS

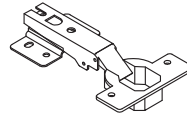
Fixings (to scale)

Ref	Dimensions	Qty
A	Cam Bolt- \varnothing 6x35	15
B	Cam-12x10	15
C	Wood Dowel- \varnothing 5.8x30	24
D	Screw- \varnothing 3x12	36
E	Screw- \varnothing 3x12	7



(Not to scale)

F	HINGE	6
---	-------	---



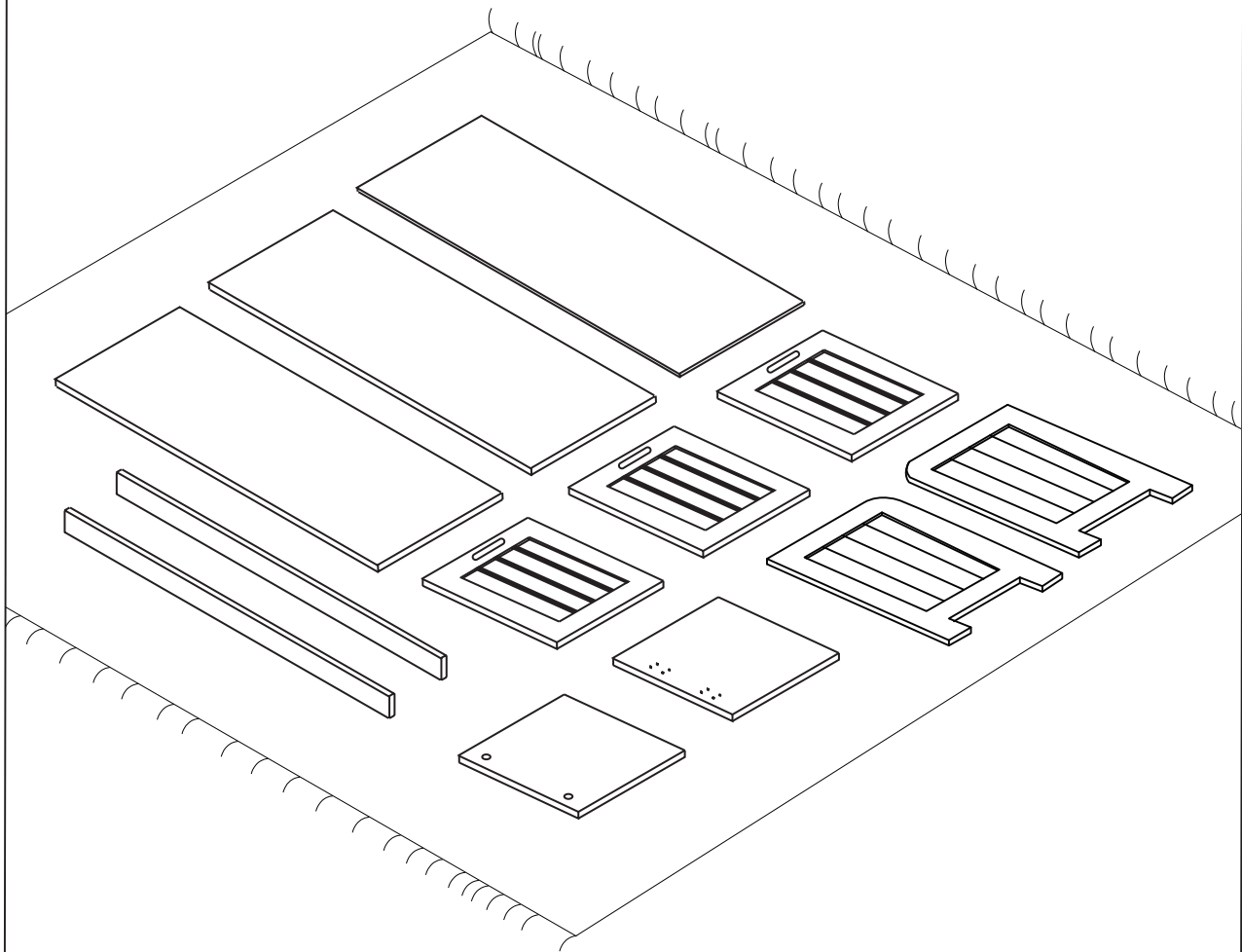
CAUTION: There are many small components used in the construction of this product. Please keep these components away from young children whilst assembling this product.

If you keep the fittings in a bowl during assembly you will be less likely to lose them!

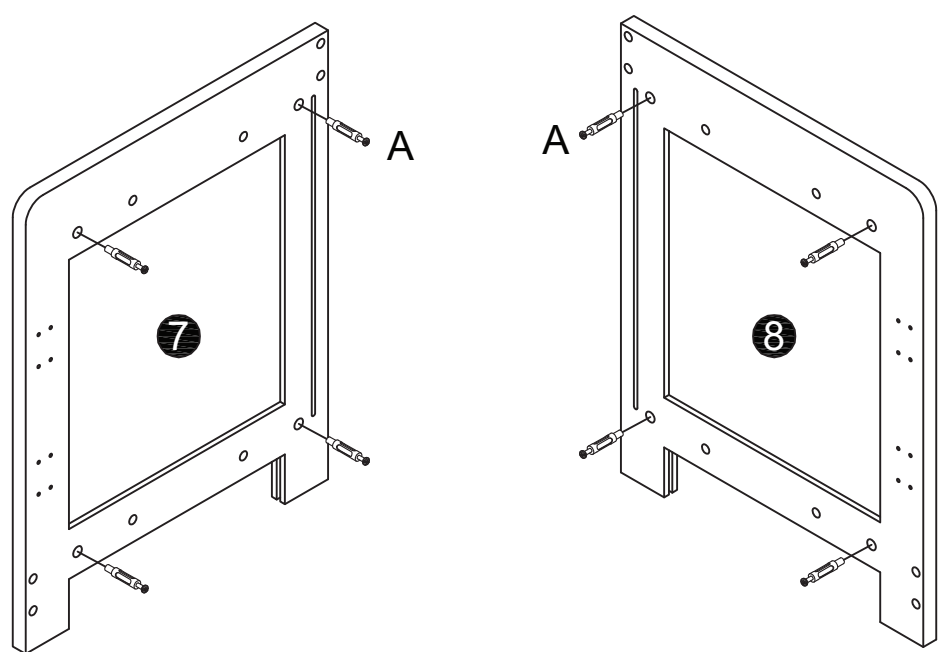
COLONIAL 3 DOOR STORAGE UNIT ASSEMBLY INSTRUCTIONS

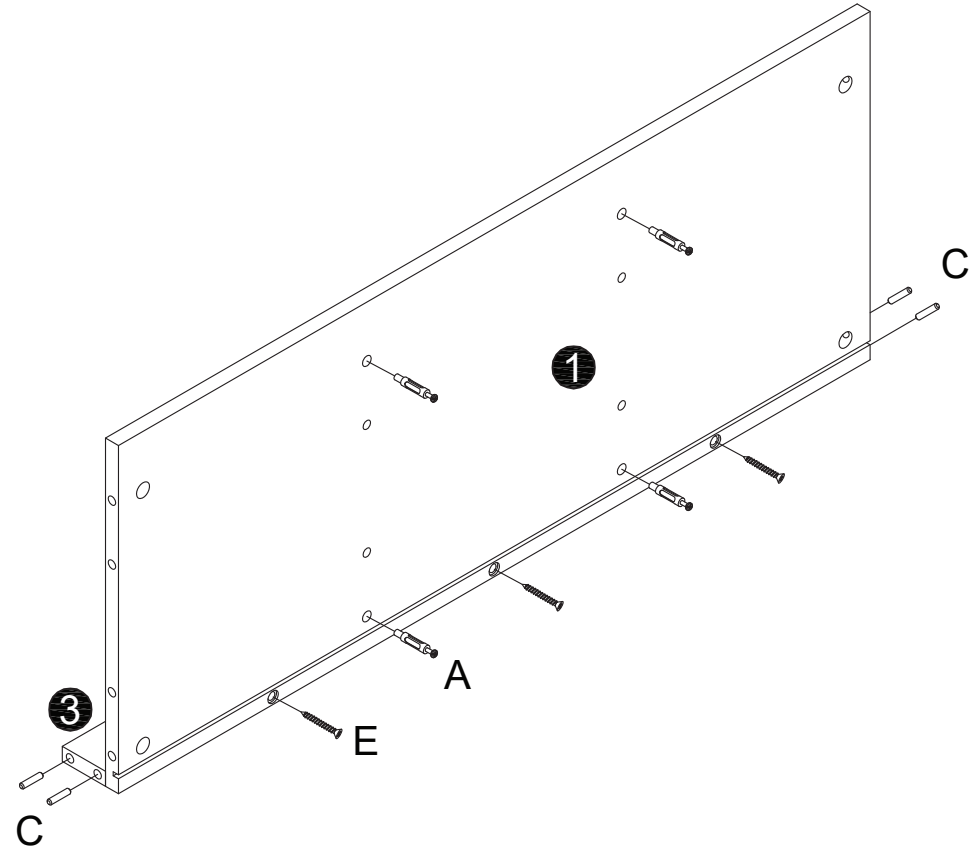
Layout Parts on Soft Surface

Lay out all parts on a soft surface i.e. Rug, Carpet or Packaging Carton.



COLONIAL 3 DOOR STORAGE UNIT ASSEMBLY INSTRUCTIONS

STEP 1	Parts Required
	<p>7. Left Side Panel x 1</p> <p>8. Right Side Panel x 1</p> <p>A. Cam Bolt x 8</p>

STEP 2	Parts Required
	<p>1. Top Panel x 1</p> <p>3. Top Rail And Reverse x 1</p> <p>A. Cam Bolt x 4</p> <p>C. Wood Dowel x 4</p> <p>E. 35mm Screw x 3</p>

COLONIAL 3 DOOR STORAGE UNIT ASSEMBLY INSTRUCTIONS

STEP 3	Parts Required
	<p>2. Bottom Panel x 1</p> <p>4. Base Rail Front and Reverse x 1</p> <p>A. Cam Bolt x 3</p>

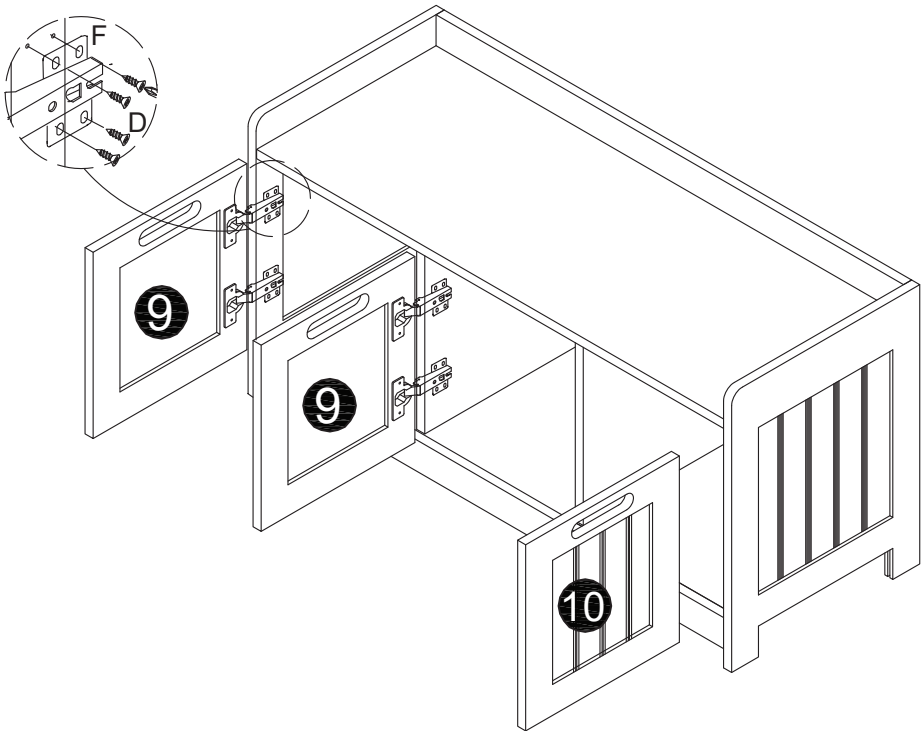
STEP 4	Parts Required
	<p>1. Top Panel x 1</p> <p>2. Bottom Panel x 1</p> <p>5. Left Individual Compartment Divider x 1</p> <p>6. Right Individual Compartment Divider x 1</p> <p>B. Cam x 4</p> <p>E. 35mm Screw x 4</p>

COLONIAL 3 DOOR STORAGE UNIT ASSEMBLY INSTRUCTIONS

STEP 5	Parts Required
	<p>7. Left Side Panel x 1</p> <p>8. Right Side Panel x 1</p> <p>11. Backboard / Hardboard x 1</p> <p>A. Cam Bolt x 8</p> <p>B. Cam x 8</p> <p>C. Wood Dowel x 16</p>

STEP 6	Parts Required
	<p>9. Right Side Panel x 1</p> <p>10. Door Right x 1</p> <p>D. 12mm Screw x 12</p> <p>F. Hinge x 6</p>

COLONIAL 3 DOOR STORAGE UNIT ASSEMBLY INSTRUCTIONS

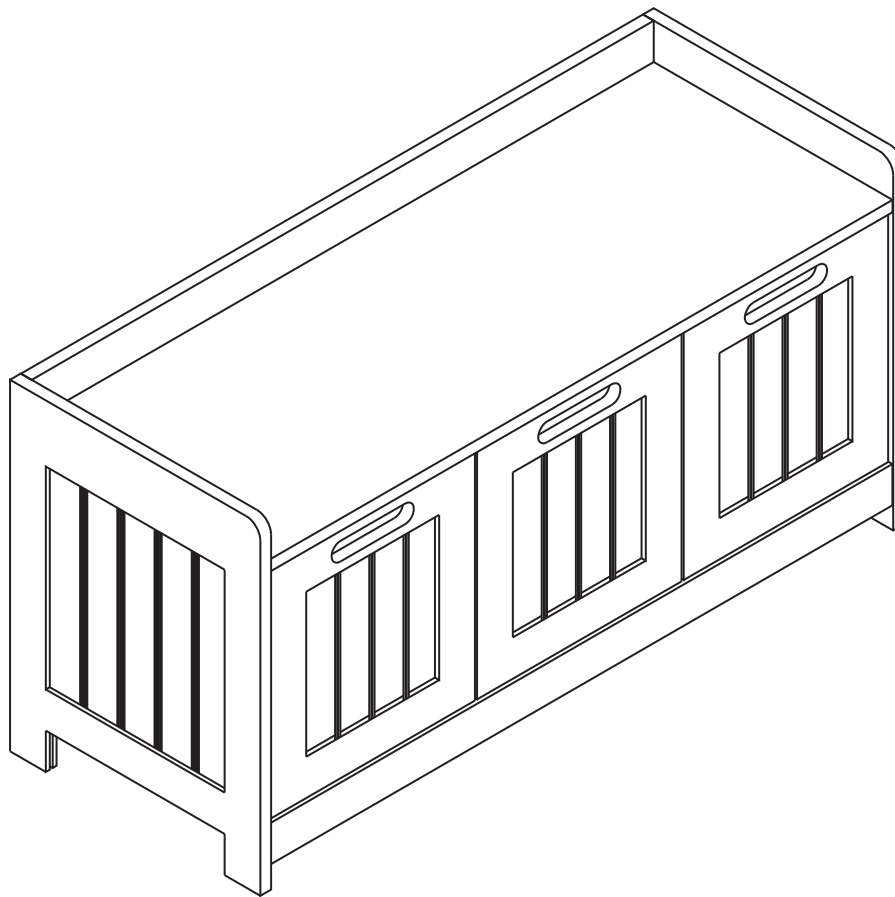
STEP 7	Parts Required
	<p>9. Door Right x 2</p> <p>10. Door Left x 1</p> <p>D. 12mm Screw x 24</p> <p>F. Hinge x 6</p>

COLONIAL 3 DOOR STORAGE UNIT ASSEMBLY INSTRUCTIONS

Complete Assembly

Your COLONIAL 3 DOOR STORAGE UNIT is now completely assembled.

Periodically check to ensure that the components are in their proper position, free from damage. Also, make sure the connectors are tight and secure.



Keep instructions for future reference

