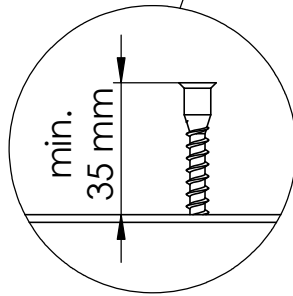
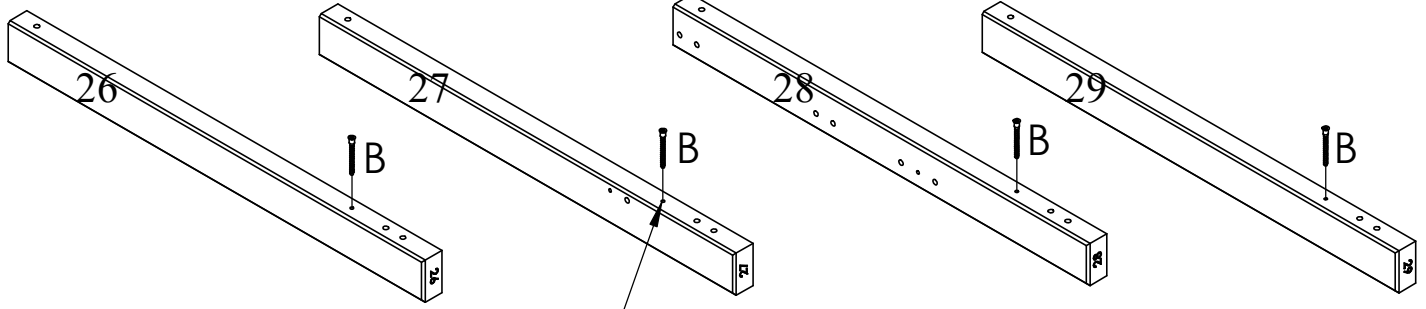
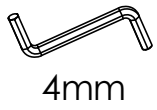
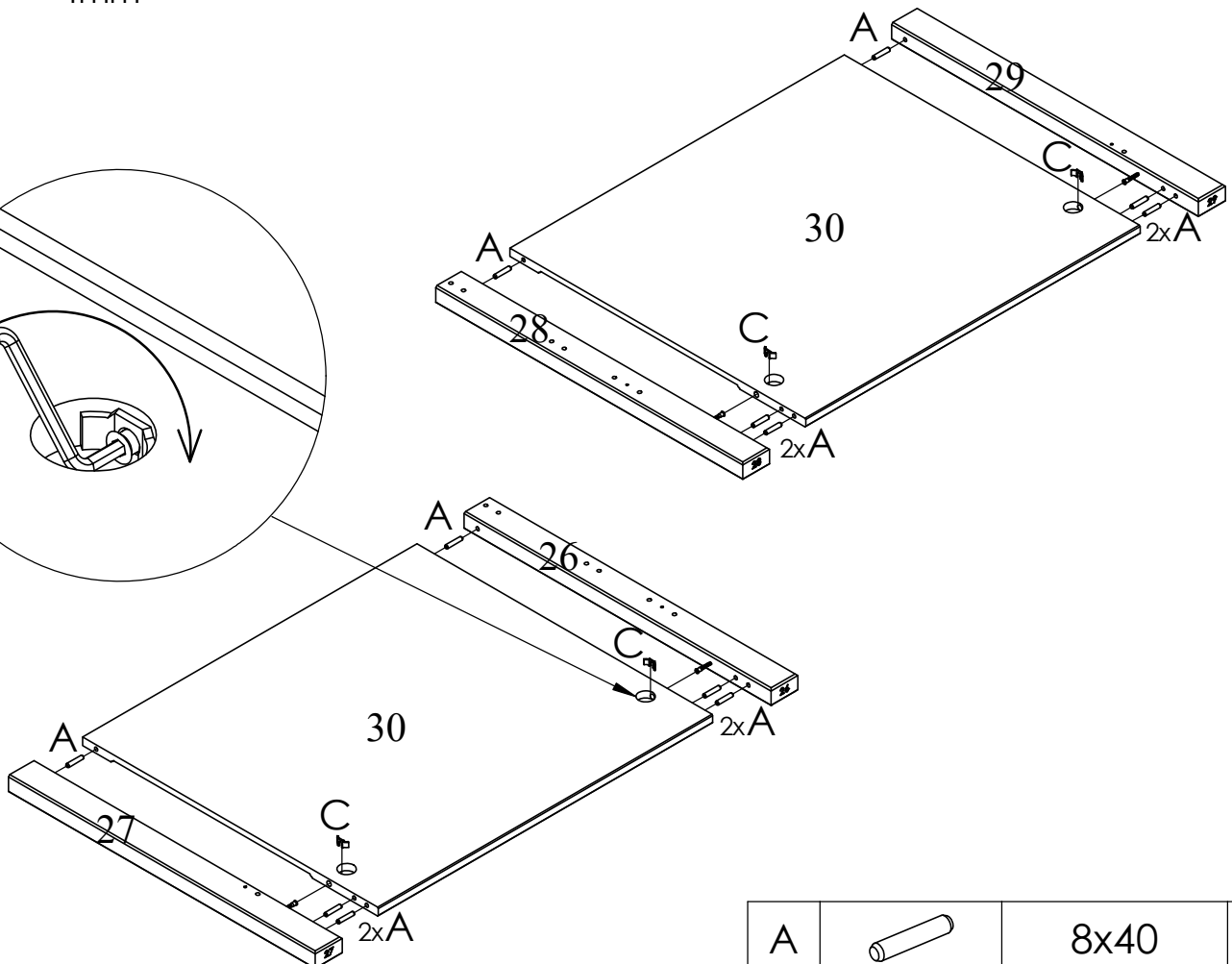
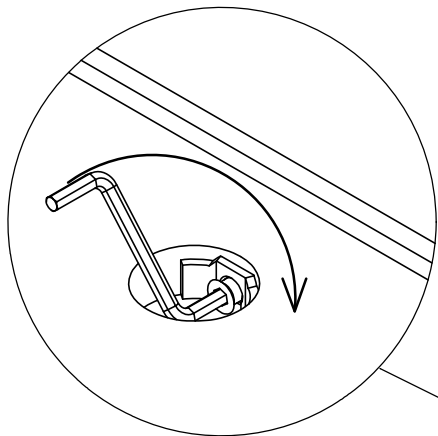
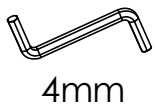


①



B		7x60	x4
---	--	------	----

②



A		8x40	x12
C		D35	x4