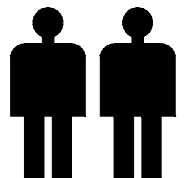
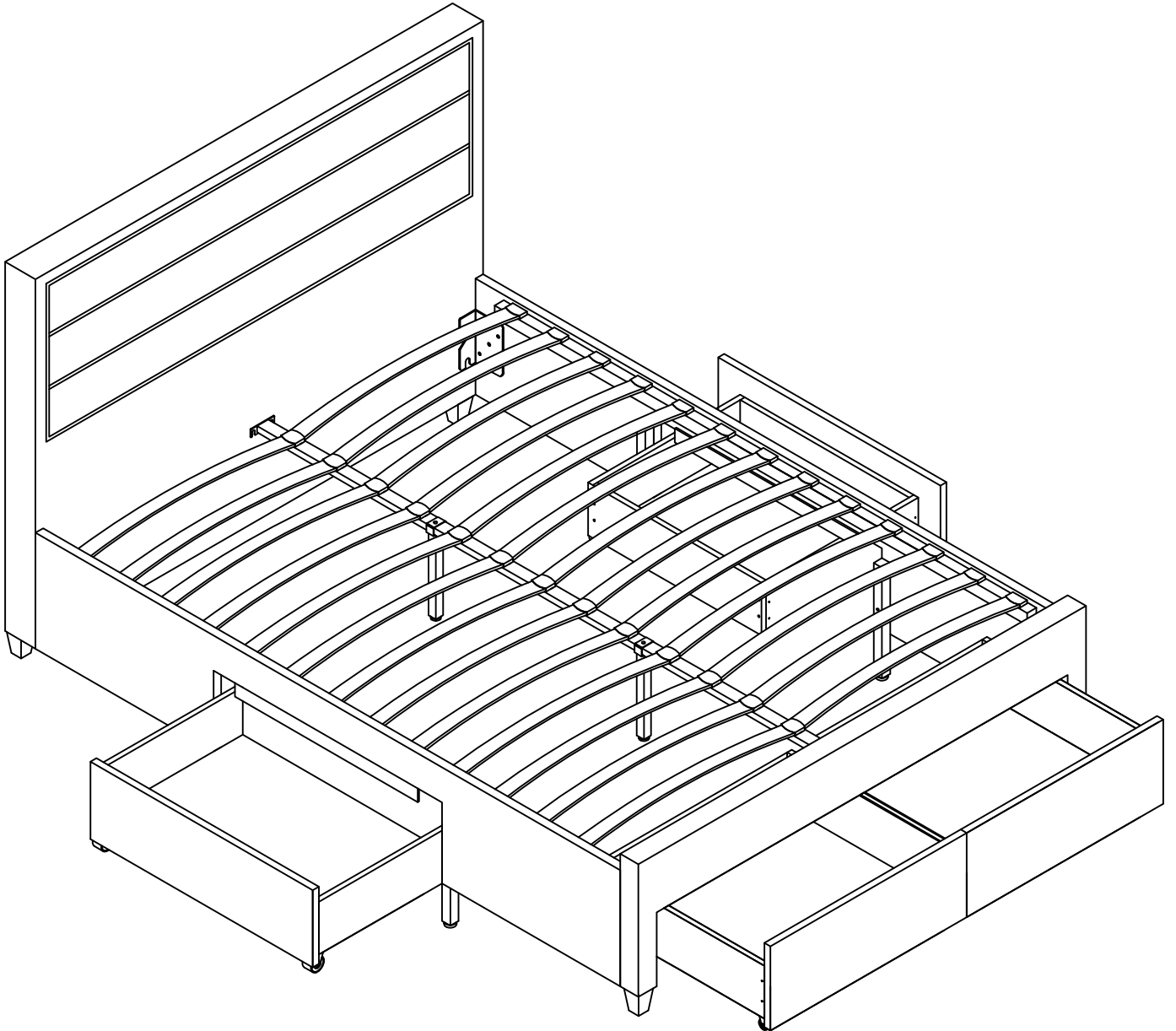


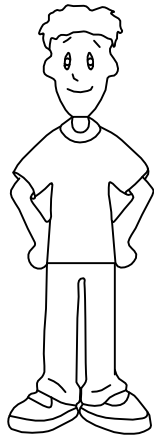
# Assembly & Care Instructions

## *Heybrook Bed Frame*

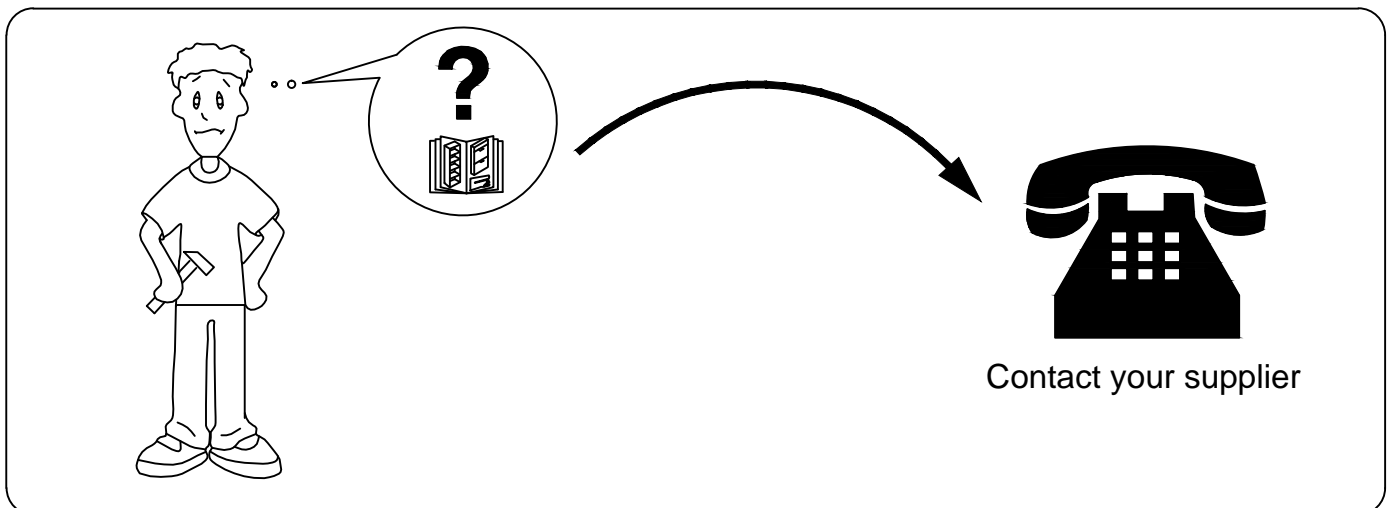
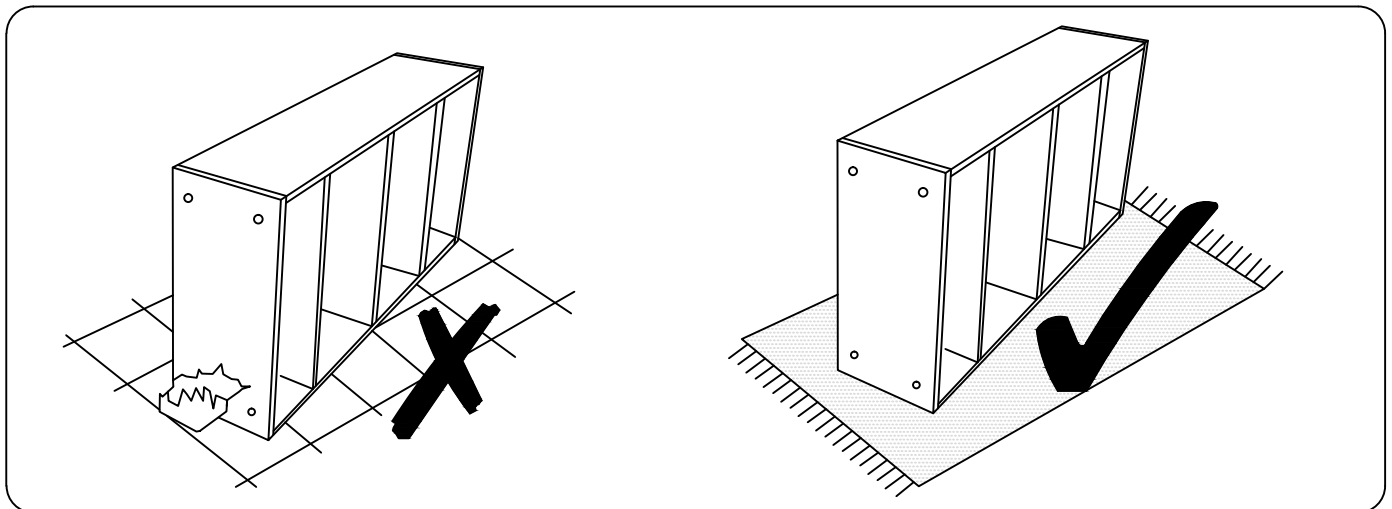
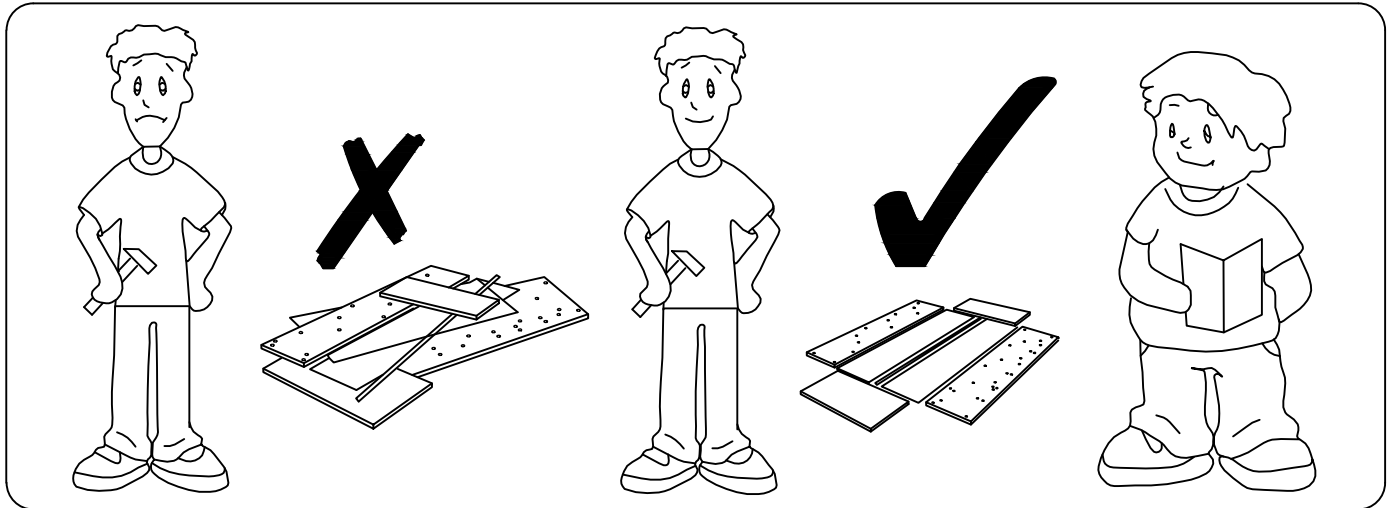
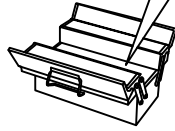
( 135 cm & 150 cm )



TWO PERSONS HANDLING



Only other tool  
required is a  
screwdriver (Not Included)



## Safety Advice

Please read these instructions carefully before you begin, when finished store safely for future reference.

It would be sensible to lay down a sheet or blanket on the floor in the room you are going to assemble the product in, this will help to avoid scratching the product and will help to protect the floor.

**IF THIS PRODUCT IS GOING TO BE USED ON A WOOD , LAMINATE OR TILED FLOOR , YOU MUST APPLY "ANTI SLIP PADS" TO ALL LEGS TOUCHING THE FLOOR .**

**THESE ARE AVAILABLE TO BUY IN MOST HARDWARE SHOPS IN A FELT MATERIAL OR RUBBER AND ARE RELATIVELY INEXPENSIVE.**

**THE PADS WILL PROTECT YOUR FLOOR FROM ANY MARKING AND ALSO FROM SLIPPING.**

**FAILURE TO APPLY THE PADS WILL RESULT IN NO RETURNS OF THE PRODUCT AND ANY SPARE'S REQUESTED.**

Unpack the product carefully, inspect all parts and check all the parts are in the box remembering some parts are in the back of the headboard, check all hardware and make sure all numbers match the AI.

We strongly recommend that children are kept out of the area where the bed is being assembled as there are several small parts that could present a choking hazard.

Do not use any power tools in the assemble of this bed at ANY time.

When you start to assemble the product, we recommend you put all small parts i.e. nut, bolts etc. into a bowl, this way you're less likely to lose any parts. Do not fully tighten bolts till your product is fully assembled. Do not tighten the bolts fully until the bed has been completely built.

## Safety Warning

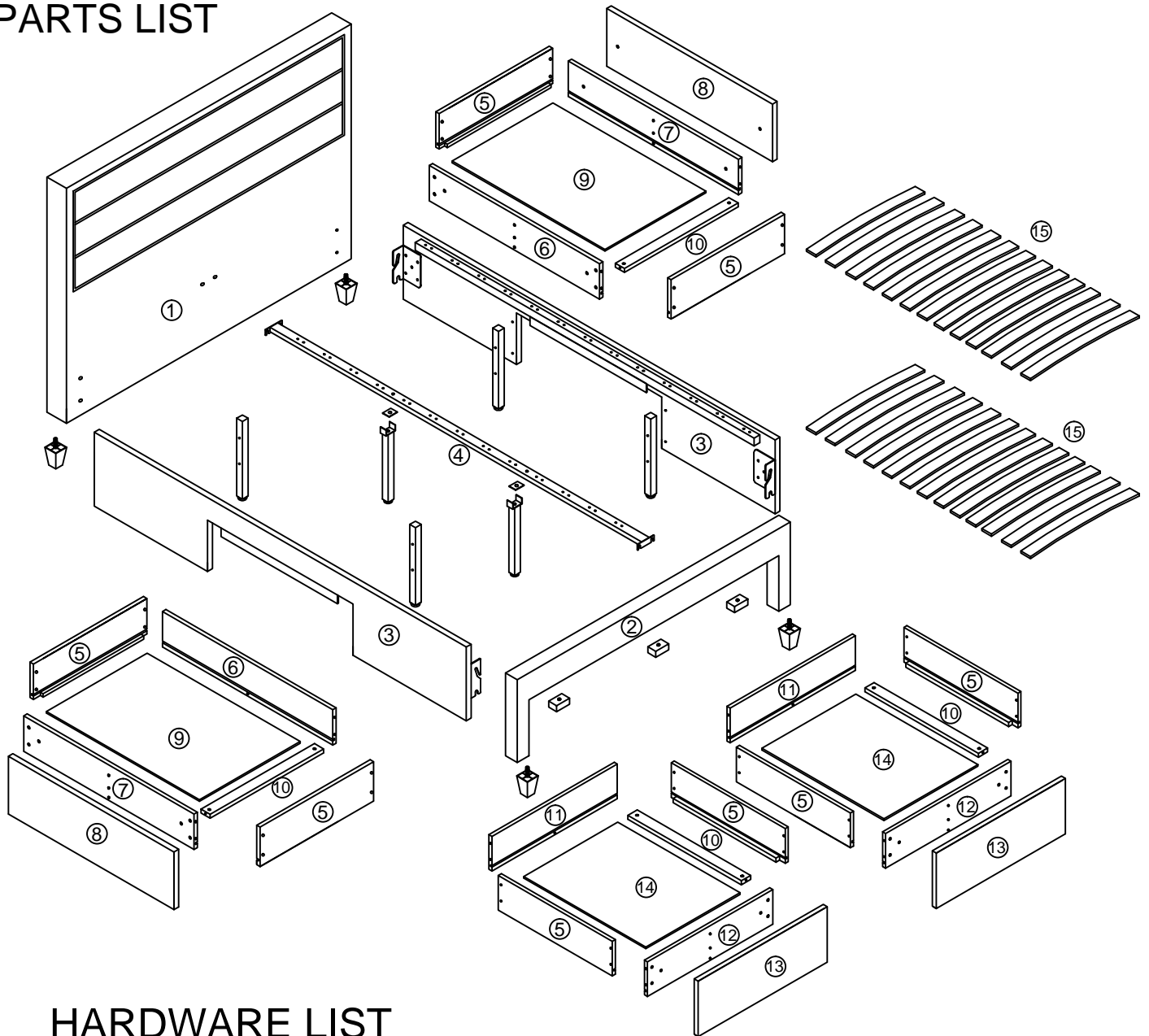
The design and construction of the base is made to only work with a mattress on top, do not sleep on the base without a mattress.

Every 3 months re-tighten the bolts to make sure they have not worked loose.

Make sure all 4 feet are in contact with the floor, if not use the adjustment on the feet to make it happen.

If for any reason you want to move the product to a different location the bed **MUST** be fully dismantled first to prevent damage.

# PARTS LIST



# HARDWARE LIST

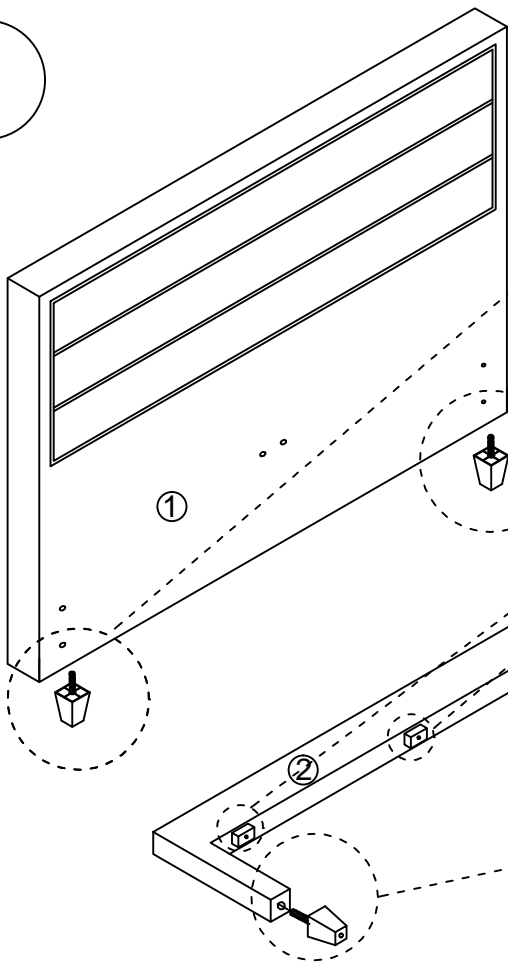
LABEL	PICTURE	DESCRIPTION	QTY	LABEL	PICTURE	DESCRIPTION	QTY
A		Bolt M8 x 45 mm	8	I		Straight wheel	16
B		Bolt M8 x 35 mm	2	J		Washer M8	20
C		Bolt M8 x 25 mm	23	K		Foot	4
D		Screw 5 mm x 40 mm	40	L		Support Leg (Metal)	4
E		Screw 3.5 mm x 35 mm	8	M		Support Leg (Metal)	2
F		Screw 3.5 mm x 15 mm	64	N		Single Plastic Cap	26
G		Plastic Plug	40	O		Double Plastic Cap	13
H		Block	3				

# TOOL LIST

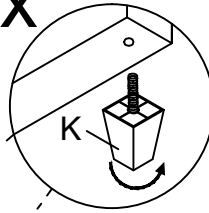
LABEL	PICTURE	DESCRIPTION	QTY	LABEL	PICTURE	DESCRIPTION	QTY
T-1		Allen key #5	1	T-2		Screwdriver (not provided)	1

**ATTENTION: Item C & J for the headboard and footboard have had 12 of each already fitted in to position and 2 of B on the support legs. Please double check before reporting short.**

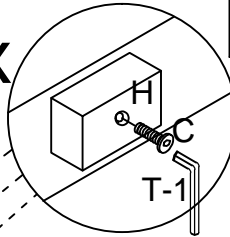
1







2x

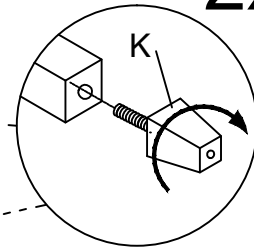


3x

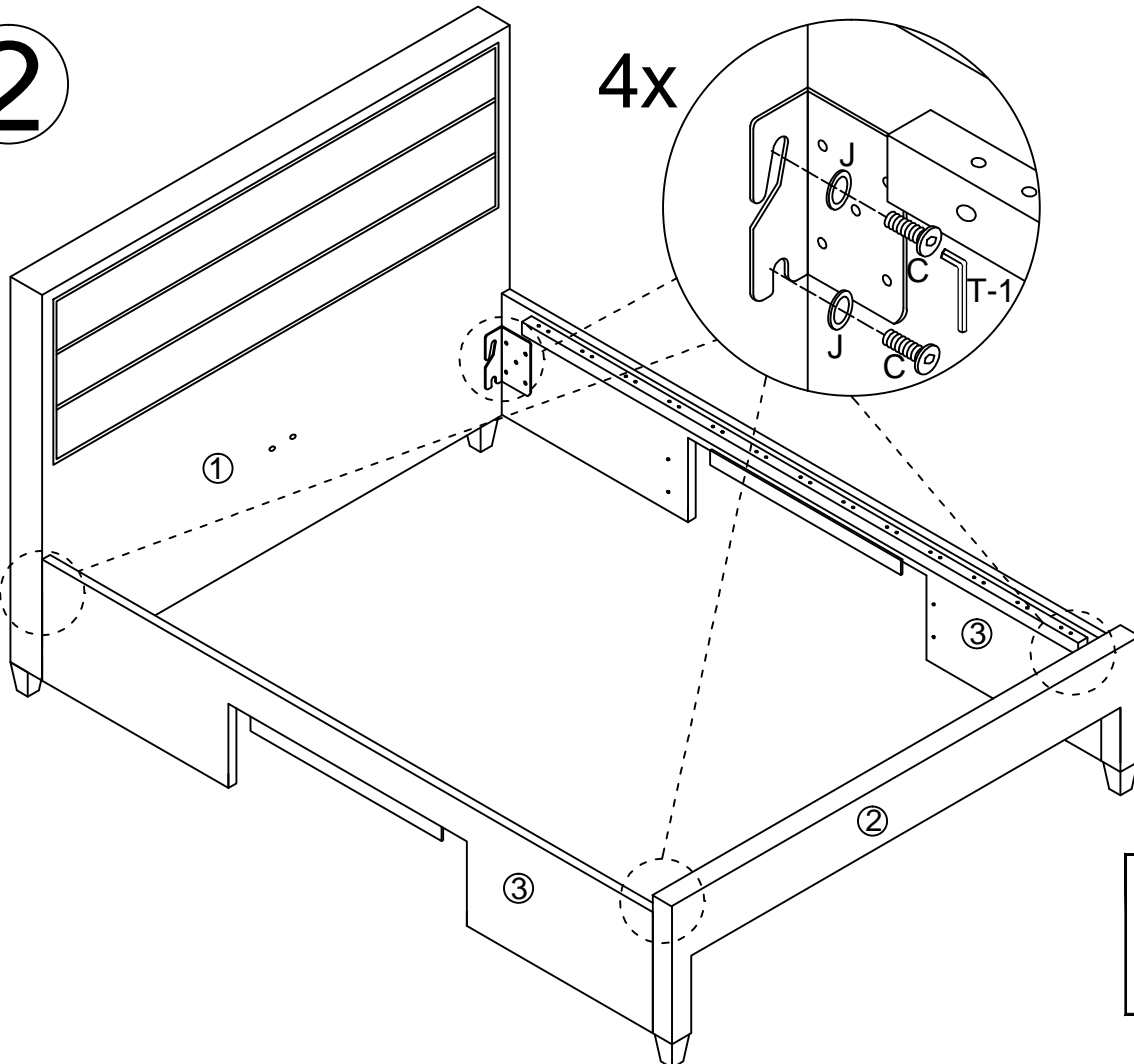


T-1  x 1	H  x 3
Allen key #5	Block
C  x 3	K  x 4
Bolt M8 x 25 mm	foot

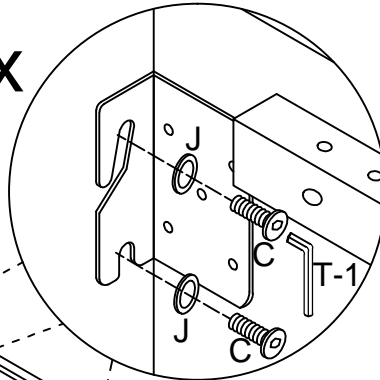
2x




2




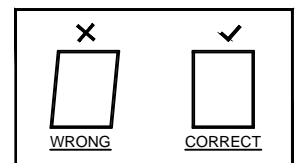
4x



J  x 8  
Washer M8

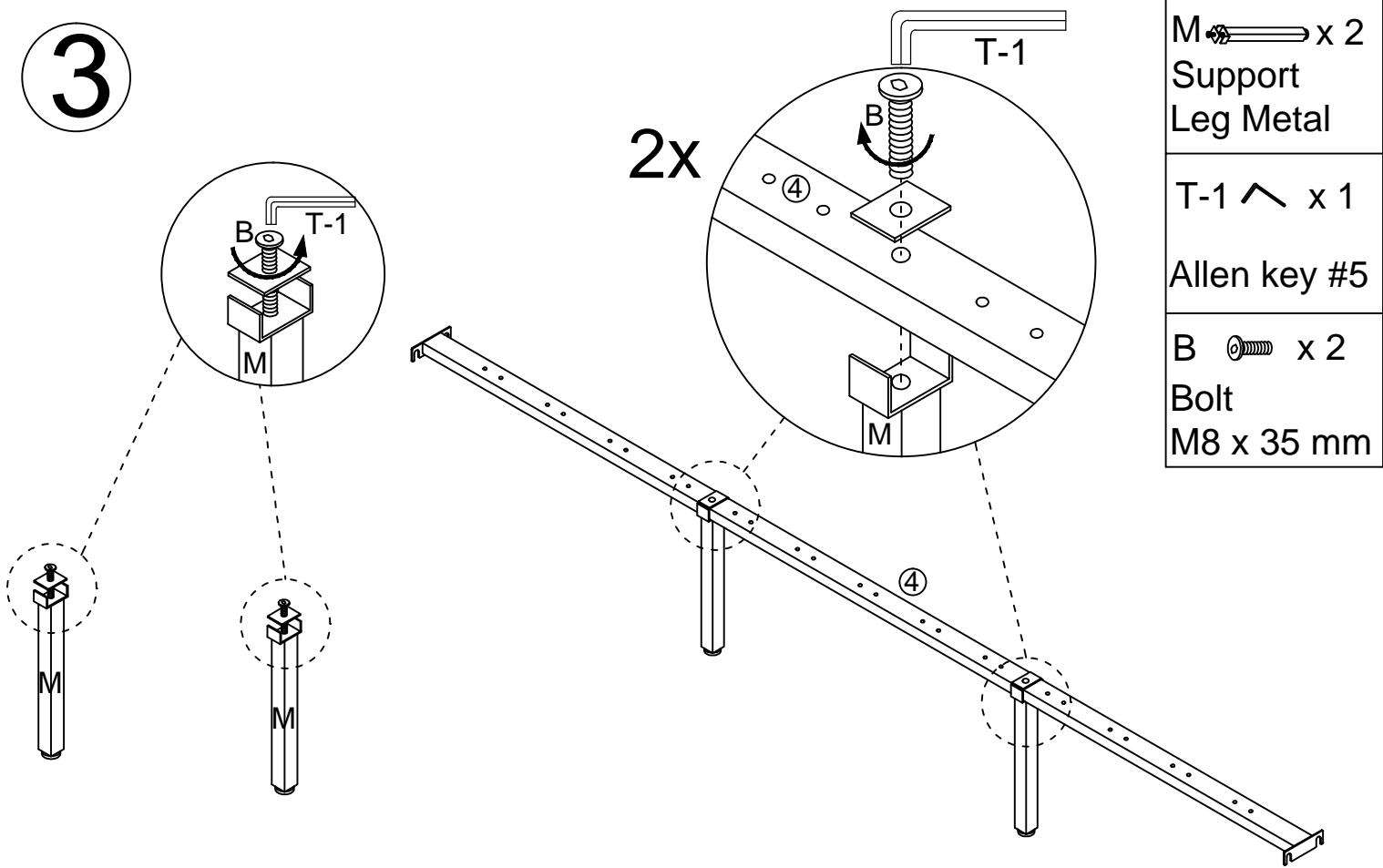
C  x 8  
Bolt  
M8 x 25 mm

T-1  x 1  
Allen key #5

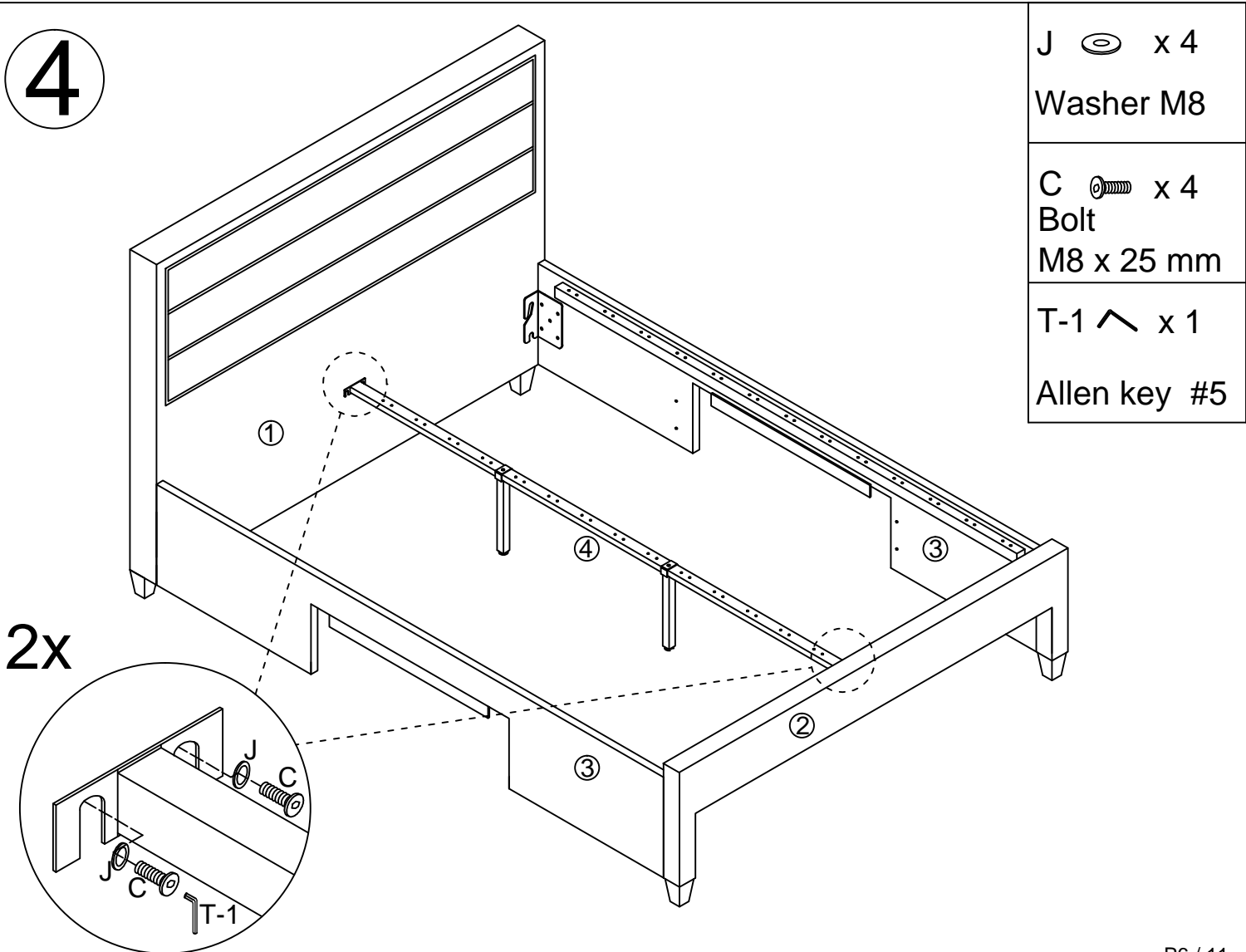


**ATTENTION:** Please use washers following Assembly Instruction and tighten all bolts before using. Otherwise it would make the central support rail and legs vulnerable, the bed may collapse.

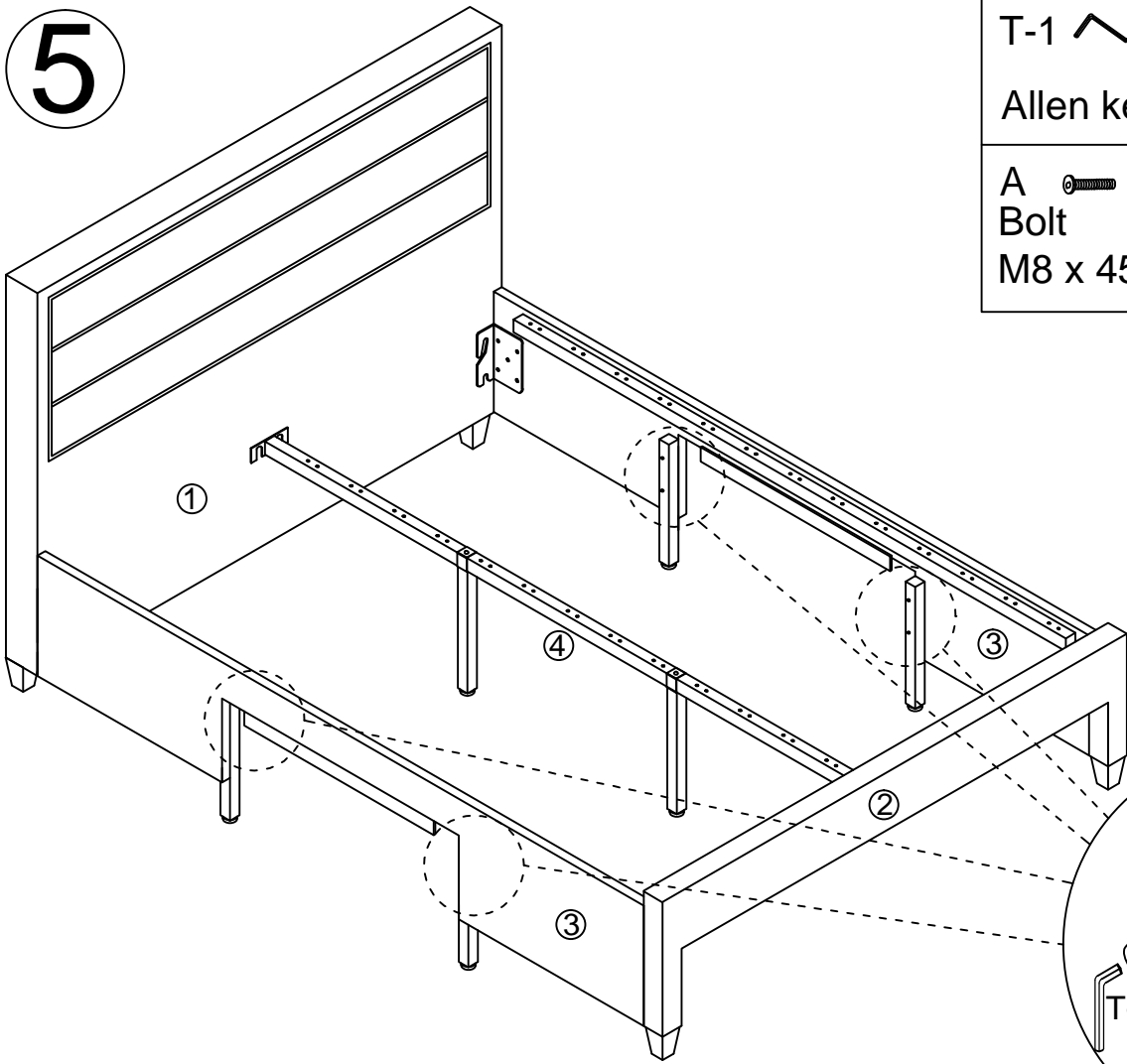
3







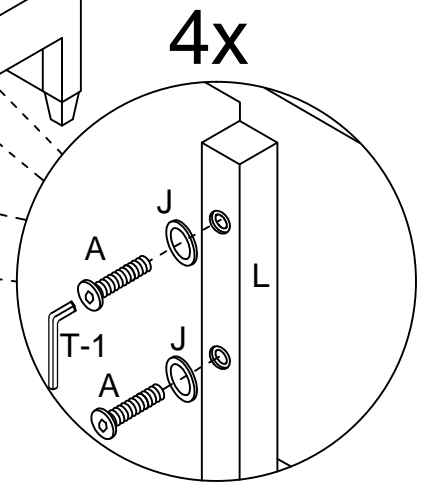
4



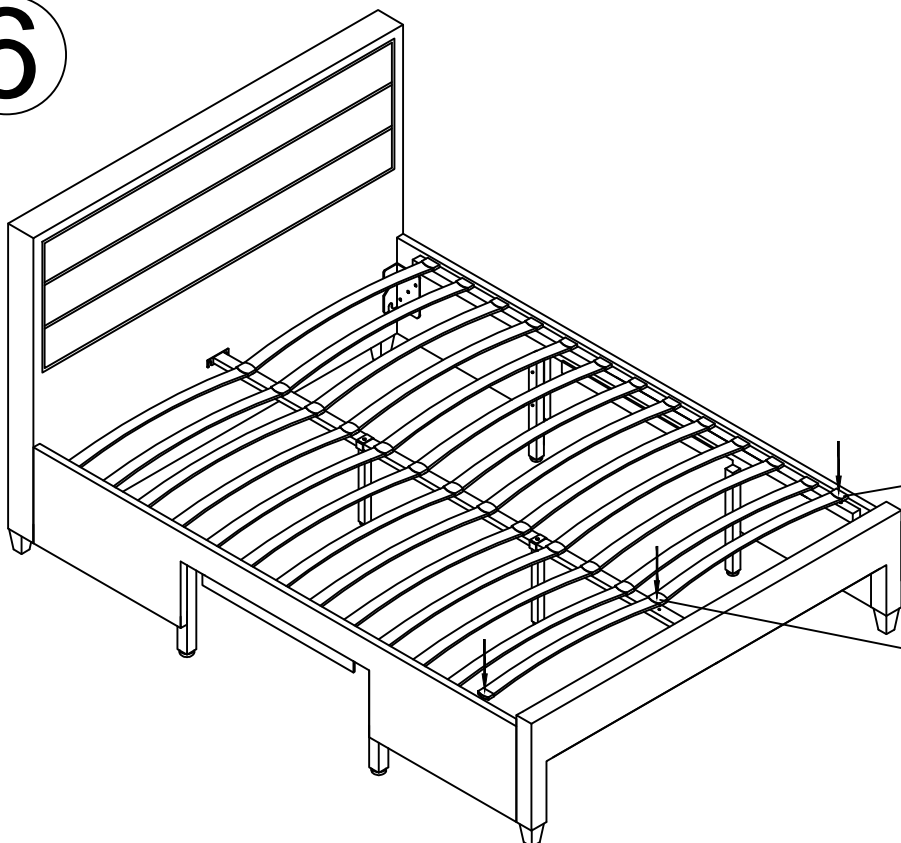
5





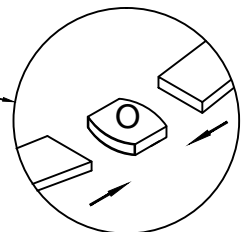
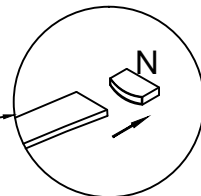
T-1  x 1	J  x 8
Allen key #5	Washer M8
A  x 8	L  x 4
Bolt M8 x 45 mm	Support Leg Metal




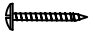
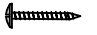





6



N  x 26
Single Plastic Cap
O  x 13
Double Plastic Cap

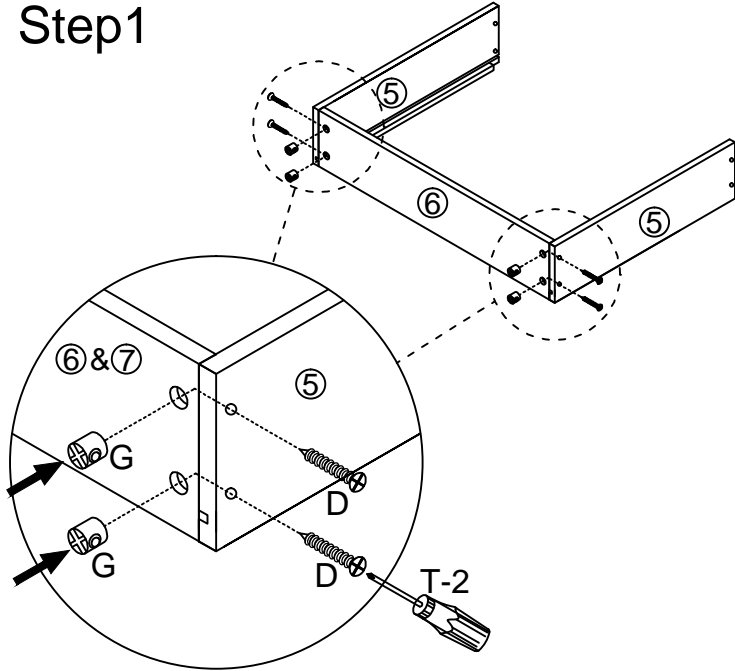


# 7

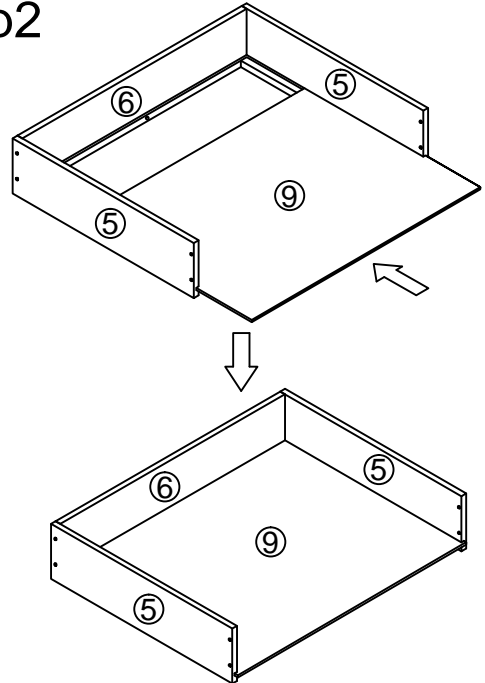
C  x 8 Bolt M8 X 25 mm	D  x 40 Screw 5 x 40 mm	E  x 8 Screw 3.5 x 35 mm	F  x 64 Screw 3.5 x 15 mm	G  x 40 Plastic Plug
I  x 16 Straight wheel	T-1  x 1 Allen Key 5#	T-2  x 1 Screwdriver		

NOTE: The four drawers are in two different sizes Big drawer belongs to bed side, small drawer belongs to bed end.  
Build small drawers according to the instructions but using part 11,12,14 to replace part 6,7,9.

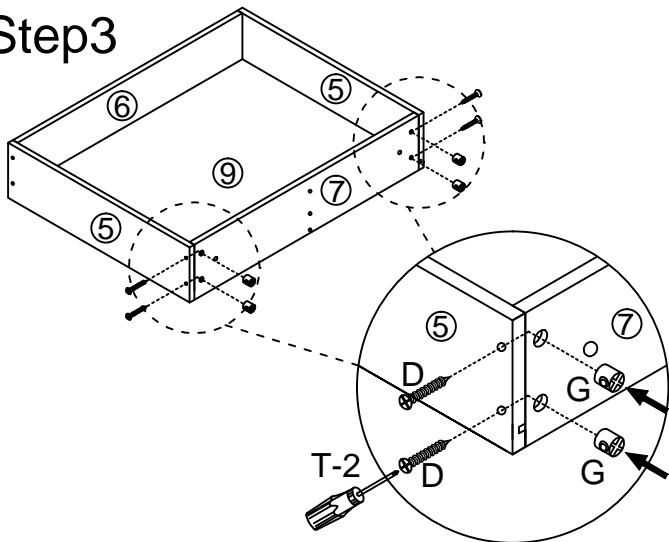
## Step1



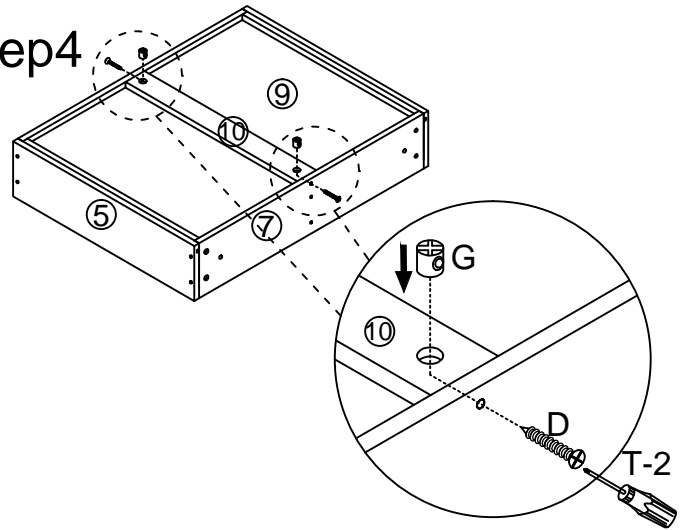
## Step2



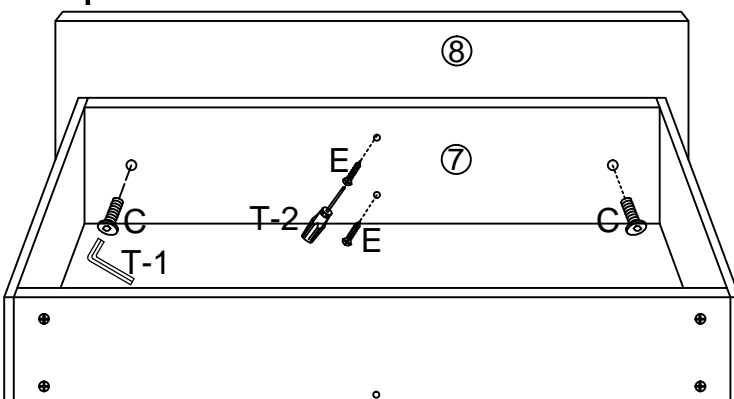
## Step3



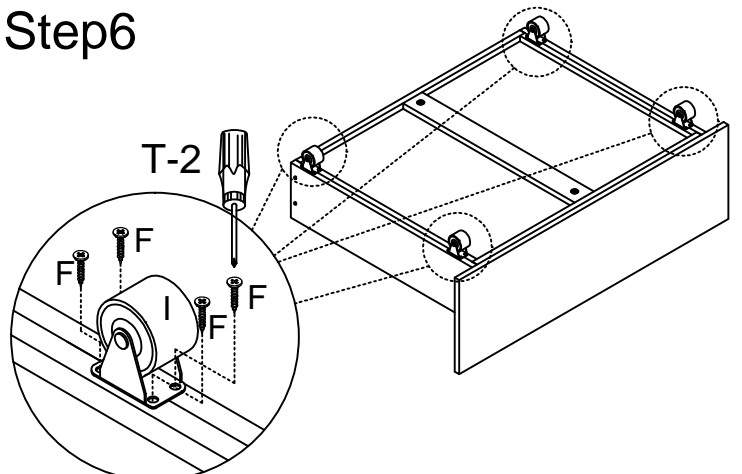
## Step4



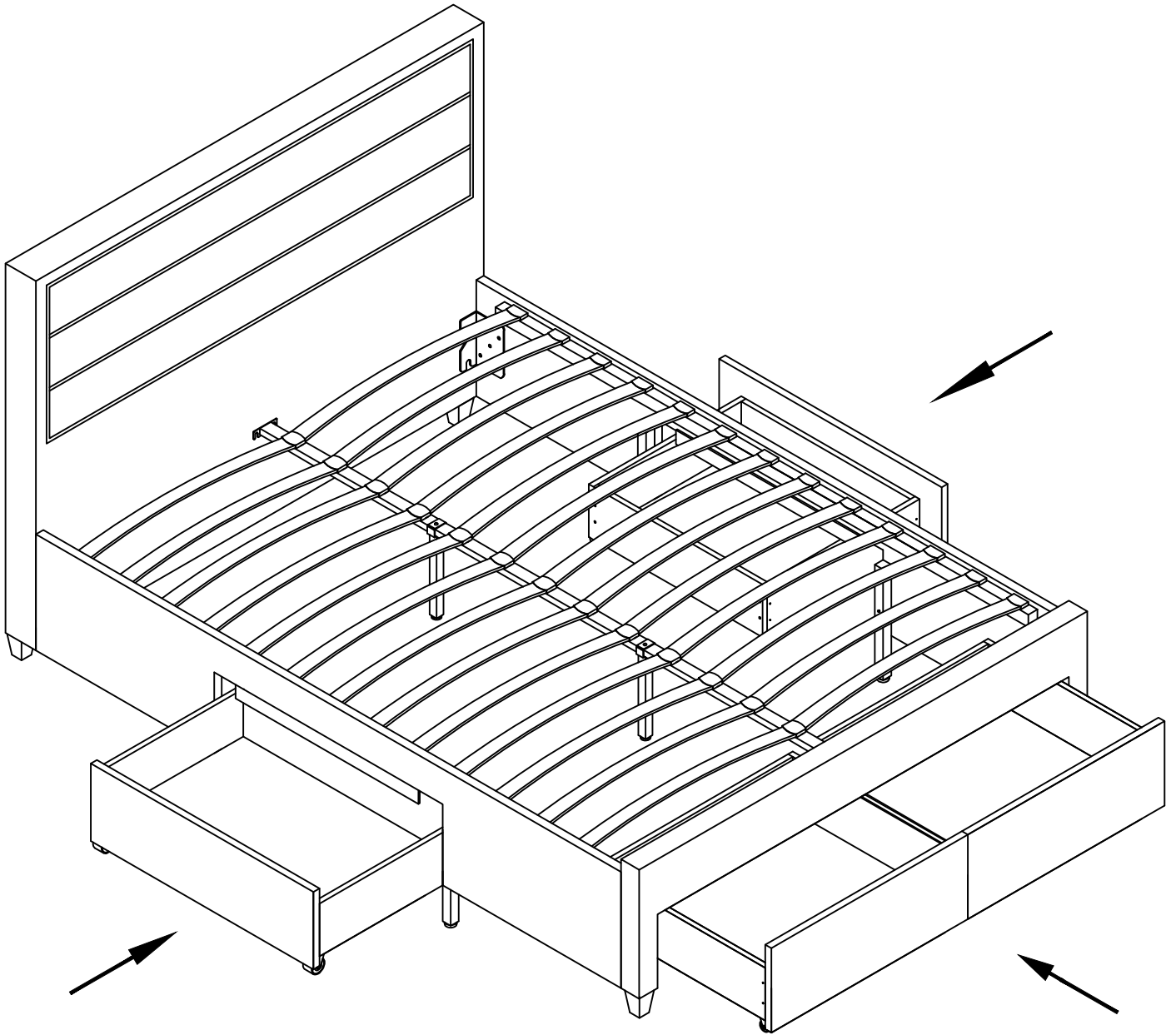
## Step5



## Step6







# General Care

Vacuum the fabric area on a regular basis to take out any surface dust or grit.

Avoid the use of all household cleaners and abrasives.

Never drag or push the pieces across the floor as this will cause damage to the joints and could result in failure to the product that will invalidate the warranty.

Always lift the product when moving.

Never rub hard on the fabric to get a stain out. If you can't remove it with a clean damp white cloth, seek for professional advice.

Never sleep on the base without a mattress fitted, they are made to work together.








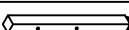
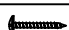
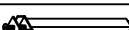

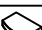

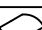


# Notes

We've tried to make this piece of furniture as easy to assemble as possible.

In the unlikely event that you have problems putting it together or have damaged or missing pieces, please contact your supplier.

If for any reason you need to contact your store, please give them Batch No. & Parts No. of the item you have an issue with, this will save time in solving you query.

The Batch No. is a number on a thin strip i.e. AF19-57 and can be found on the inside of the Footboard, or on the wall side of Headboard.

LABEL	PICTURE	DESCRIPTION	QTY	LABEL	PICTURE	DESCRIPTION	QTY
A		Bolt M8 x 45 mm	8	I		Straight wheel	16
B		Bolt M8 x 35 mm	2	J		Washer M8	20
C		Bolt M8 x 25 mm	23	K		Foot	4
D		Screw 5 mm x 40 mm	40	L		Support Leg (Metal)	4
E		Screw 3.5 mm x 35 mm	8	M		Support Leg (Metal)	2
F		Screw 3.5 mm x 15 mm	64	N		Single Plastic Cap	26
G		Plastic Plug	40	O		Double Plastic Cap	13
H		Block	3	T-1		Allen key #5	1

**CARELESSNESS  
CAUSES FIRE**

BATCH NO. AFxx-xx  
FABRIC CONTENT  
100% POLYESTER

To comply with The Furniture and Furnishings  
(Fire)(safety) Regulations:1988  
This article does not include a schedule 3  
interlinear. All foams, fillings and composites  
have been  
tested to ensure compliance with the relevant  
ignitability test. All covers and fillings have  
been tested to ensure that they are cigarette  
resistant. All covers have been tested to  
ensure  
that they are match resistant.  
Further details are available from your retailer.  
Made in China

