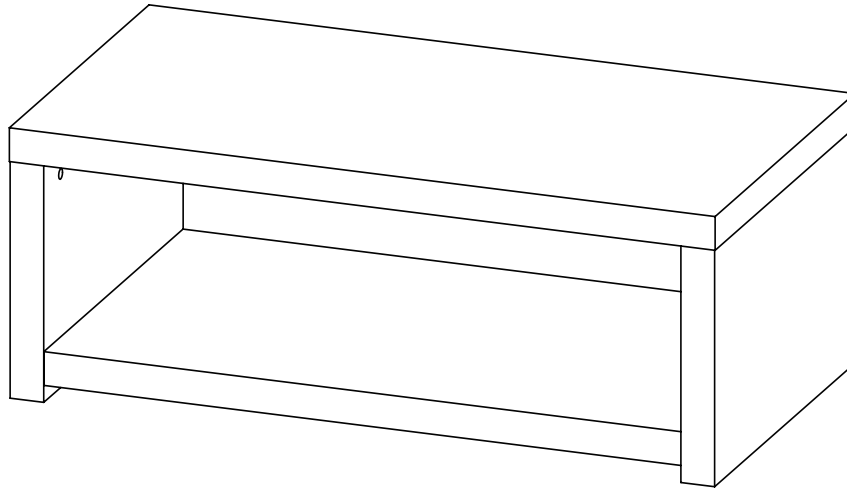


# BLOC COFFEE TABLE WITH SHELF ASSEMBLY INSTRUCTIONS

Thank you for purchasing the Bloc Coffee Table With Shelf.

Please read the instructions carefully to ensure safe operation of this product.



Size: 105 x 55 x 40 cm (WDH)

Colour: Concrete

Finish: Melamine

---

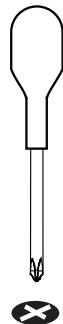
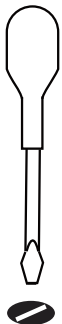
**PLEASE READ** this sheet prior to assembly to familiarise yourself with the various stages of construction.

Carefully open the pack supplied and check the contents against the parts and fittings check list. Do not destroy any of the packaging until you are certain that you have all the necessary parts for the assembly.

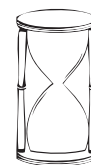
**CAUTION:** There are small components used in the construction of this unit. These loose items should be kept away from young children whilst assembling your unit to avoid the danger of choking.

---

## Tools Required



Number of people



0.5 Hour  
Set Up

Version 1 - 210315

PO No : 6644

Page 1 of 6

# BLOC COFFEE TABLE WITH SHELF ASSEMBLY INSTRUCTIONS

## **IMPORTANT - READ CAREFULLY - RETAIN THESE INSTRUCTIONS FOR FUTURE REFERENCE.**

### **INFORMATION**

- This product is designed to hold 15Kg distributed evenly throughout the product .
- Do not exceed this weight.
- We recommend that this unit is assembled in the room intended for use.
- When you are ready to start, make sure that you have the right tools, plenty of space and a clean, dry area for assembly.
- Unwrap all packaging materials and place the components on top of the carton box or on a clean floor to prevent them from scratching.
- Check the pack and make sure you have all the parts listed.
- Ensure that this product is fully assembled as illustrated before use.
- Check all screws or bolts are tightened and inspect regularly
- Tools not included unless specified in parts list.

### **WARNINGS**

- This product should only be used on a firm and level floor.
- Keep small parts out of reach of children.
- Make sure the legs/base remain in contact with the floor.
- DO NOT use power tools to construct this product.
- DO NOT tighten screws until parts are assembled or as advised in this guide.
- DO NOT over tighten screws or bolts.
- DO NOT use this product if parts are missing, damaged or worn.
- DO NOT sit or stand on the product.

### **CARE INFORMATION**

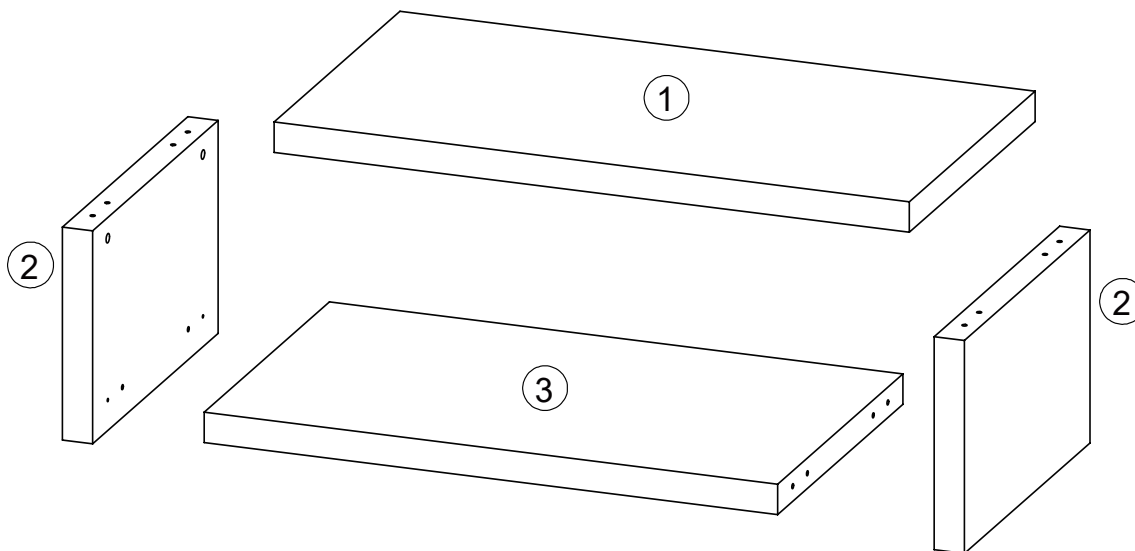
- To clean, wipe with a damp cloth.
- Never use scourers, abrasives or chemical cleaners.
- Do not use solvent based cleaners or detergents as they can bleach or damage the product.

# BLOC COFFEE TABLE WITH SHELF ASSEMBLY INSTRUCTIONS

## Parts and Fittings Checklist

Please check the pack contents before assembling the product. If any components are missing, please contact your retailer.

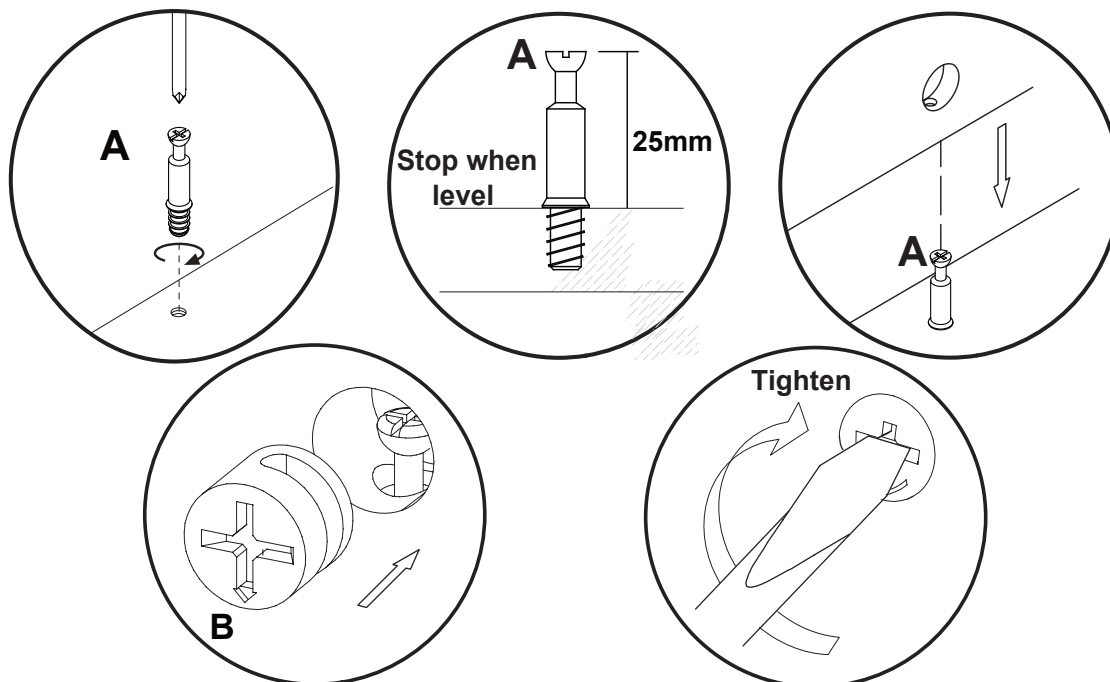
The fittings pack contains small items that should be kept away from children.



All parts are packed in one carton

1	2	3
Description: Top Panel Qty: 1 Size: 1050 x 550 x 50 mm Carton No: 1/1	Description: Side Panels Qty: 2 Size: 550 x 350 x 50 mm Carton No: 1/1	Description: Base Shelf Qty: 1 Size: 948 x 550 x 50 mm Carton No: 1/1

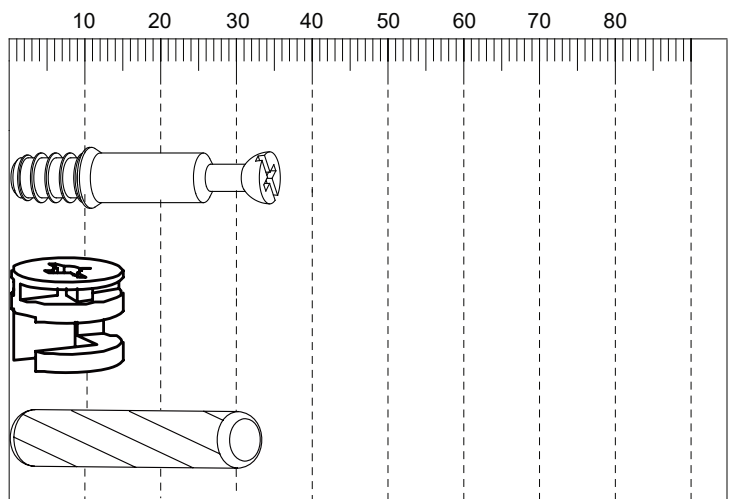
## General Hints & Tips



# BLOC COFFEE TABLE WITH SHELF ASSEMBLY INSTRUCTIONS

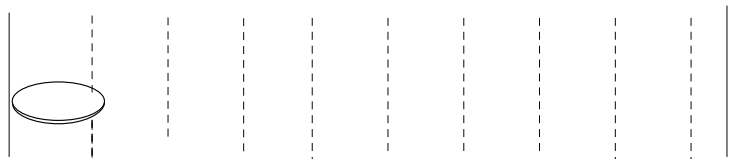
## Fittings (to scale)

Code	Item	Quantity
A	Cam Bolt (35mm overall)	8
B	Cam Lock	8
C	Dowel (8x30mm)	8

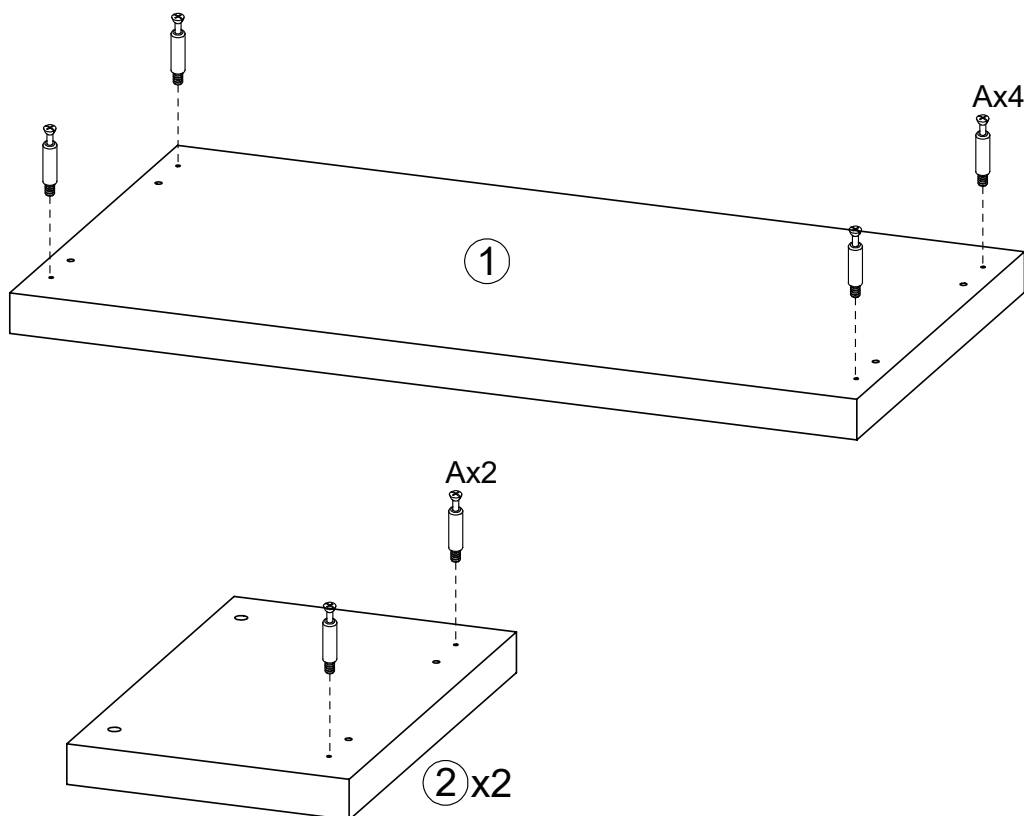


## Fittings (not to scale)

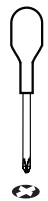
Code	Item	Quantity
K	Cam Cover	4



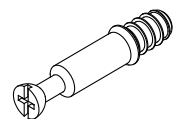
## STEP 1



For this step:  
**Tools required**



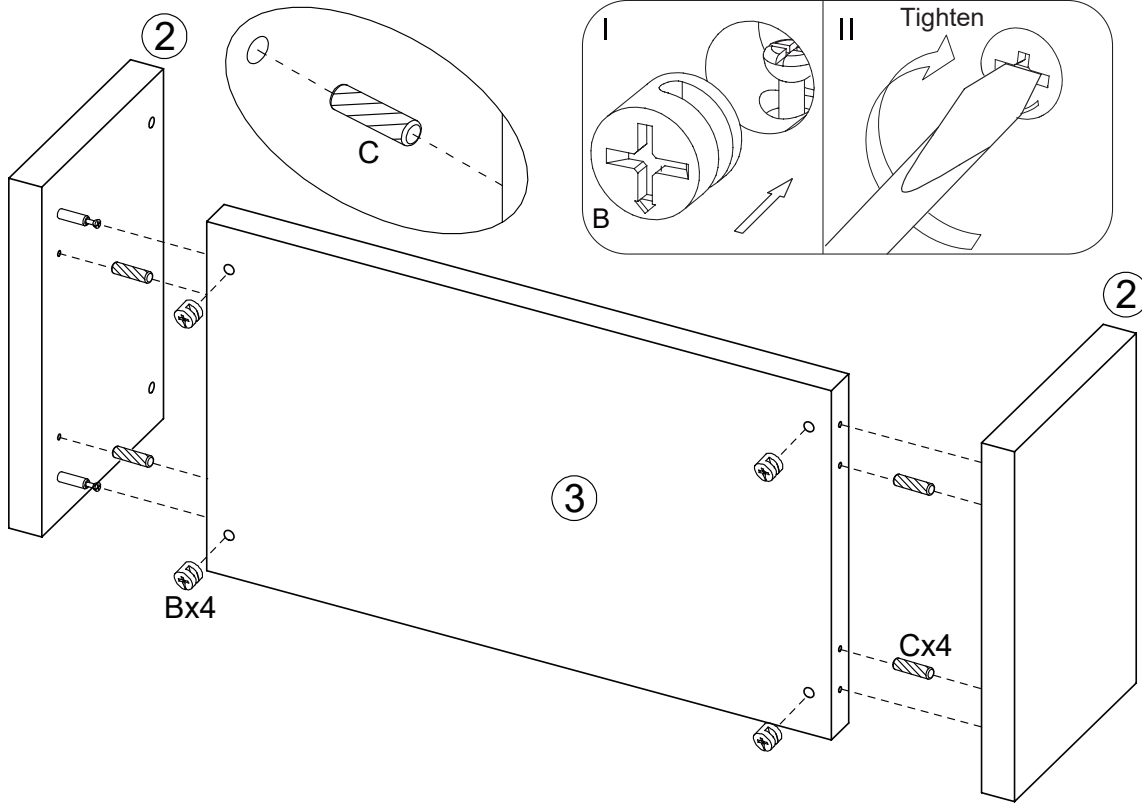
**Fittings required**



A x8

# BLOC COFFEE TABLE WITH SHELF ASSEMBLY INSTRUCTIONS

## STEP 2



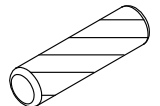
For this step:  
**Tools required**



**Fittings required**

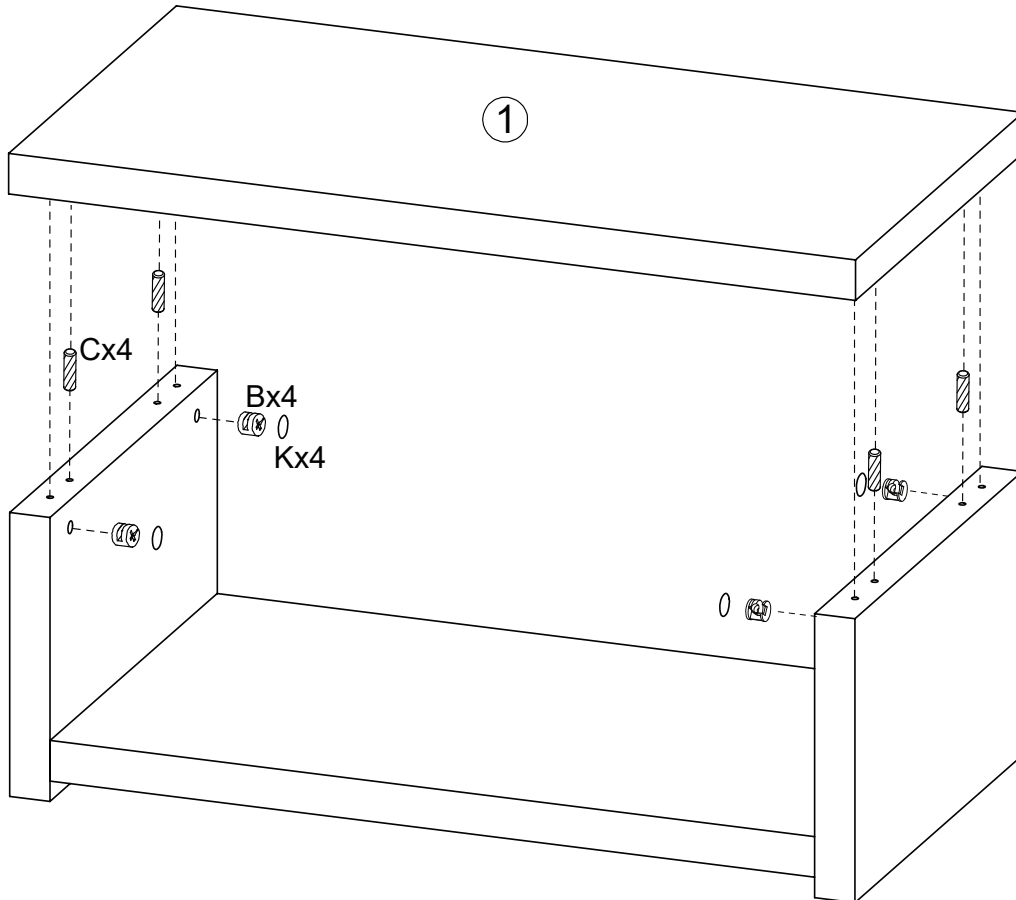


B x4

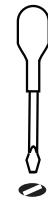


C x4

## STEP 3



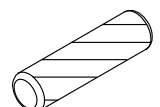
For this step:  
**Tools required**



**Fittings required**



B x4



C x4



K x4

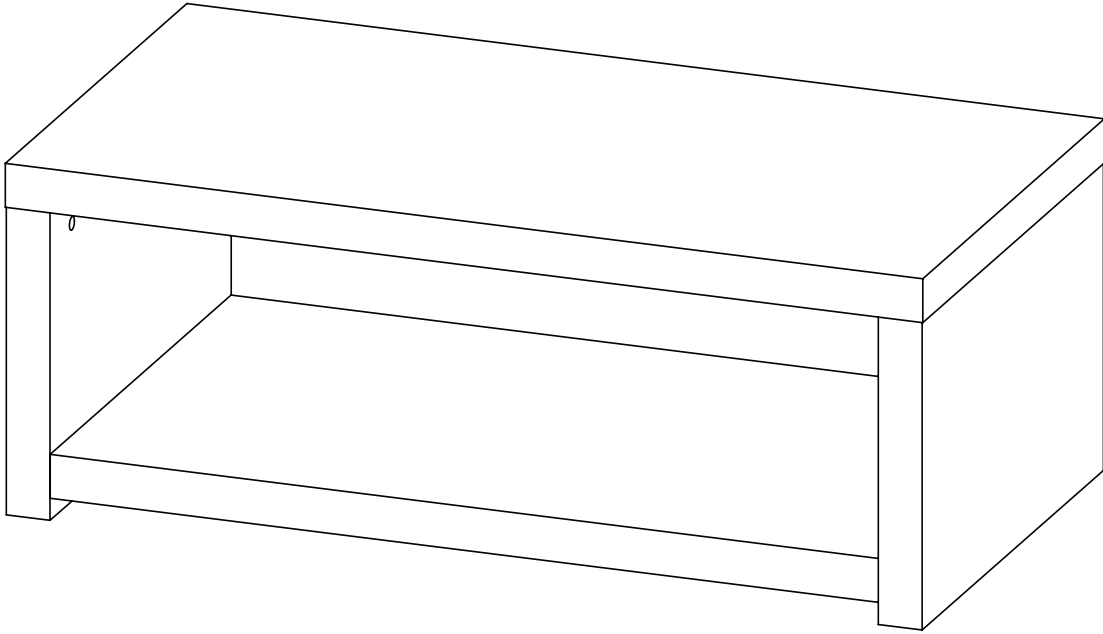
# BLOC COFFEE TABLE WITH SHELF ASSEMBLY INSTRUCTIONS

## Assembly Completed

Your Bloc Coffee Table With Shelf is now completely assembled.

Periodically check to ensure that the components are in their proper position, free from damage.

Also, make sure the connectors are tight and secure.



**Keep instructions for future reference**

