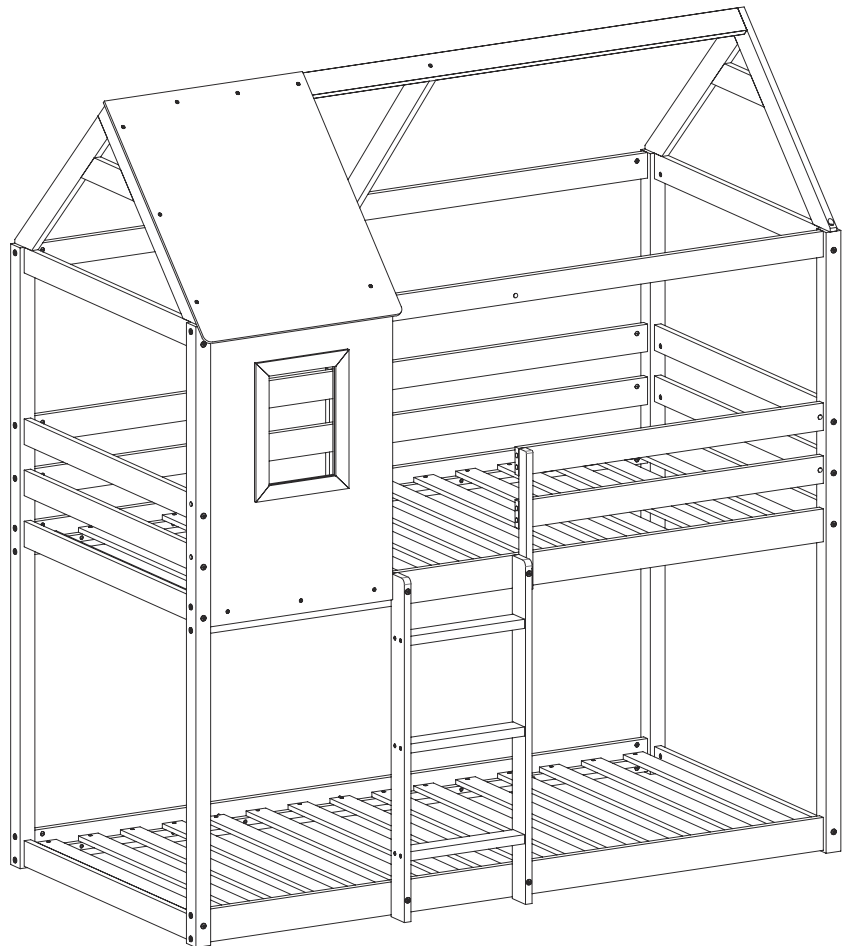
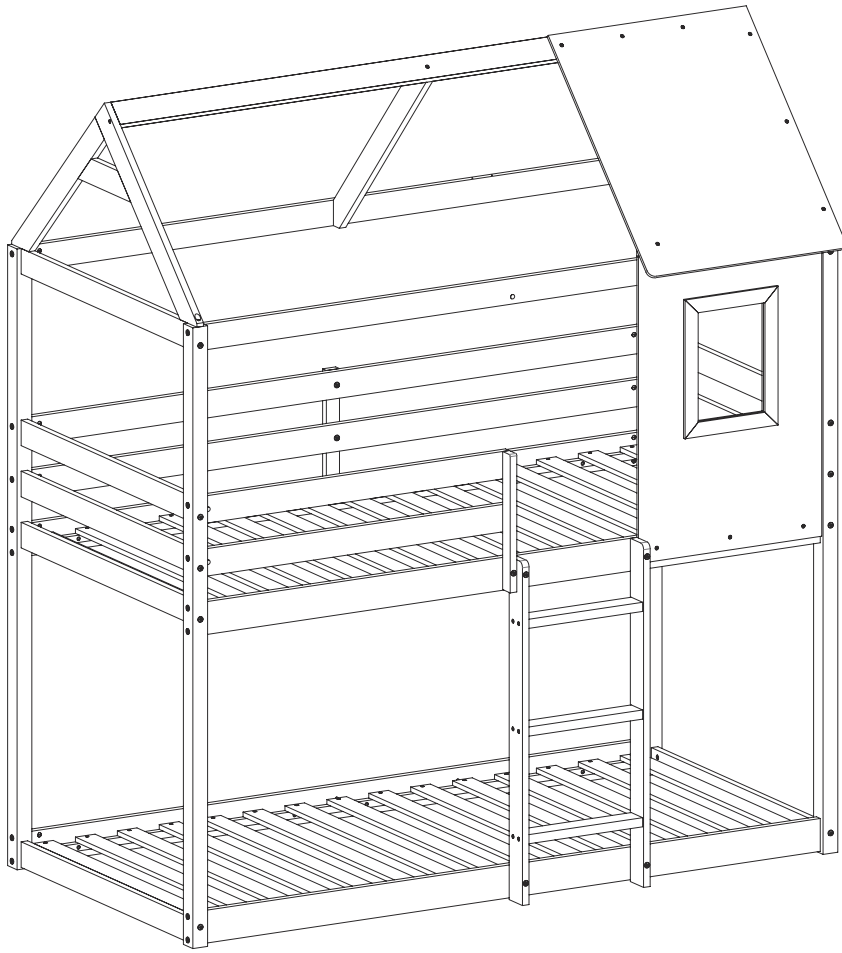


Hideaway Bunk Bed

IMPORTANT – READ CAREFULLY – RETAIN FOR FUTURE REFERENCE

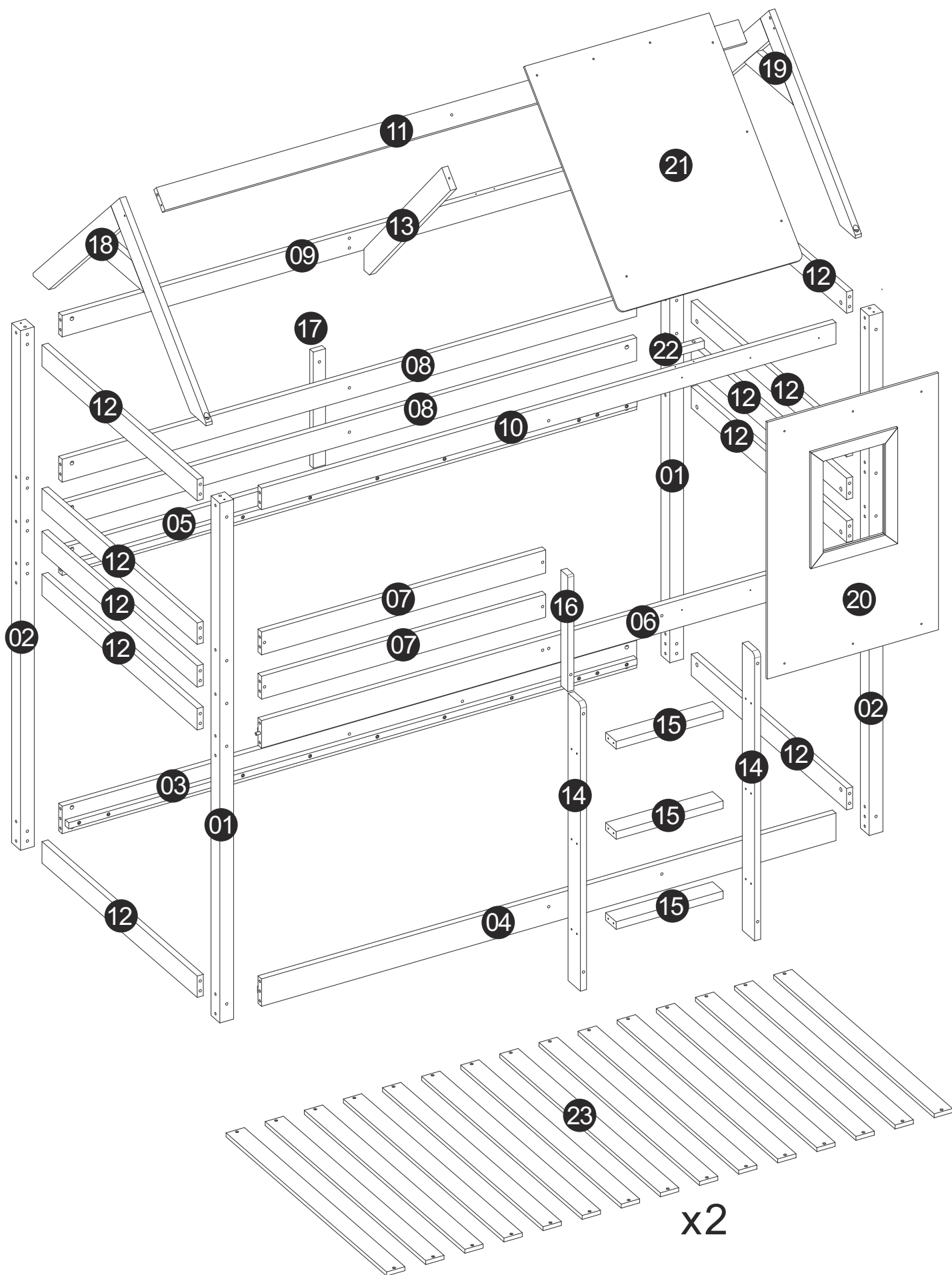
- A) **WARNING** – The upper bed of bunk beds are not suitable for children under six years old due to the risk of injury from falls.
- B) **WARNING** – Bunk beds can present a serious risk of injury from strangulation if not used correctly. Never attach or hang items to any part of the bunk bed that are not designed to be used with the bed, for example, but not limited to ropes, strings, cords, hooks, belts and bags.
- C) **WARNING** – children can become trapped between the bed and the wall, a roof pitch, the ceiling, adjoining pieces of furniture (e.g. cupboards) and the like. To avoid risk of serious injury the distance between the top safety barrier and the adjoining structure shall not exceed 75mm or shall be more than 230mm.
- D) **WARNING** – Do not use the bunk bed if any structural part is broken or missing.
- E) Always follow the manufacturer's instruction.
- F) Recommended size of mattress: upper bed: 90 x 190cm and lower bed: 90 x 190cm
- G) Maximum thickness of mattress 15cm.
- H) Periodically check and ensure that the guardrails, ladder, and other components are in their proper position, free from damage. Also, make sure the connectors are tight and secure.
- I) Ventilation of the room is necessary in order to keep the humidity low and to prevent mould in and around the bed
- J) This item meets the UK test standards

Hideaway Bunk Bed



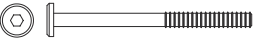



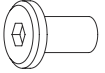
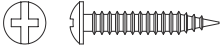

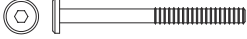





Hideaway Bunk Bed

EXPLODED VIEW

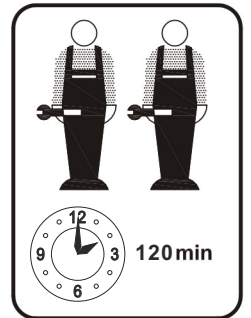
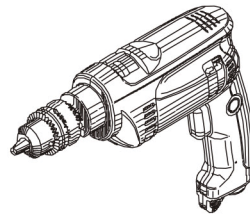
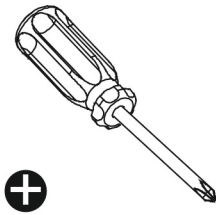
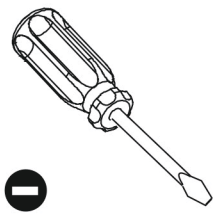


Hideaway Bunk Bed

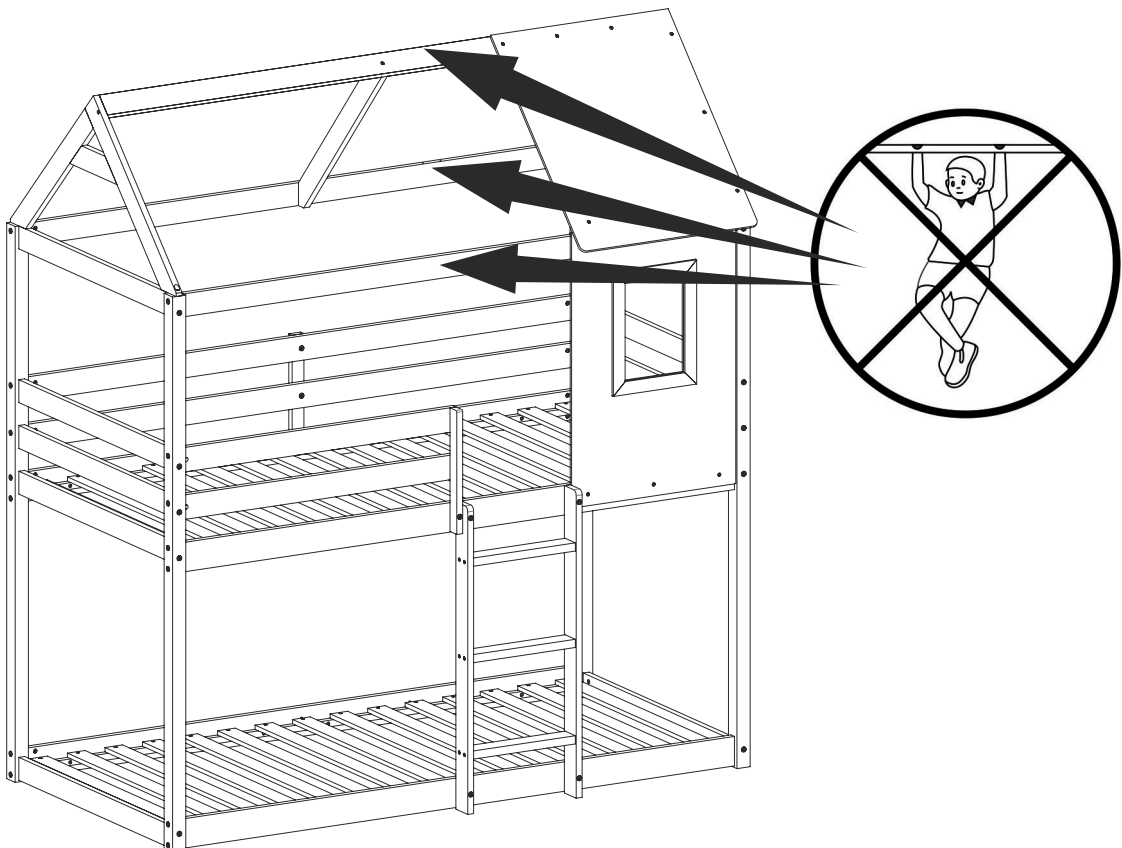
HARDWARE

<p>A x46</p>  <p>M6x90mm</p>	<p>B x46</p> 	<p>C x45</p>  <p>Ø8x30mm</p>	<p>D x5</p>  <p>M6x30mm</p>	<p>E x8</p> 
<p>F x13</p>  <p>Ø4x20mm</p>	<p>G x19</p>  <p>Ø7x50mm</p>	<p>H x4</p>  <p>M6x80mm</p>	<p>J x1</p>  <p>Ø7x40mm</p>	<p>K x62</p>  <p>Ø4x30mm</p>
<p>L x1</p>  <p>M6x50mm</p>	<p>M x2</p> 	<p>N x17</p> 		

TOOLS



WARNING



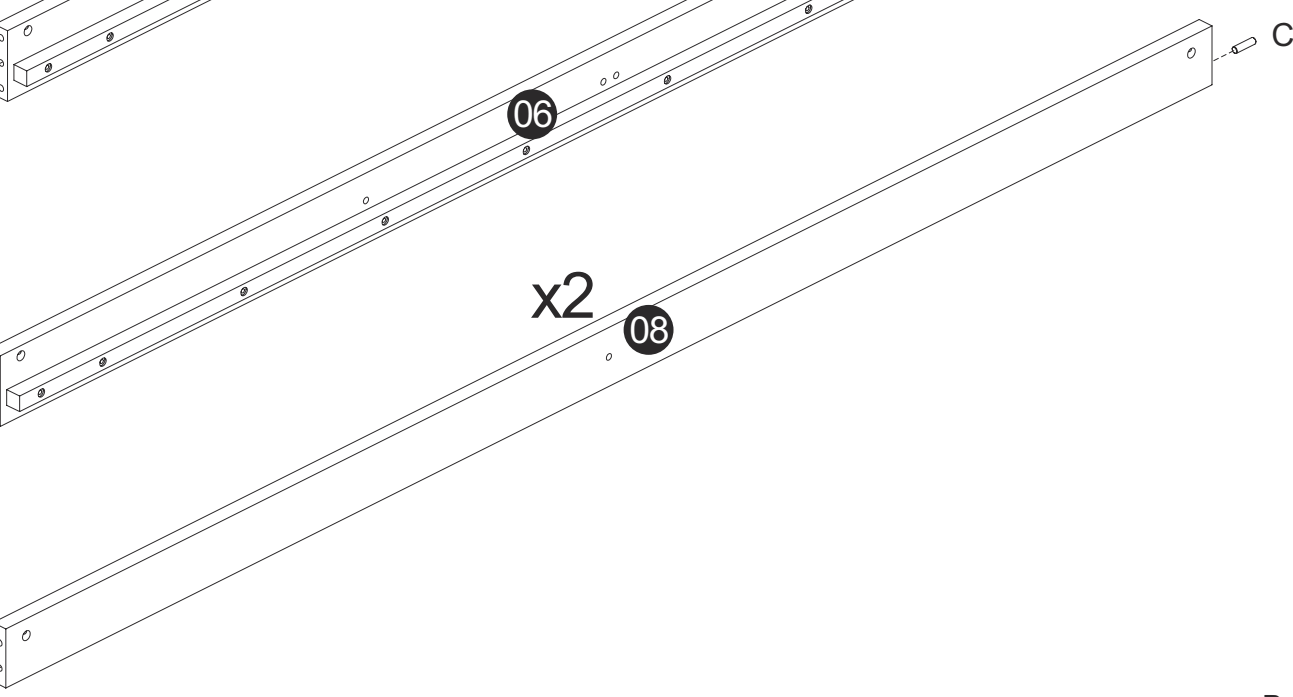
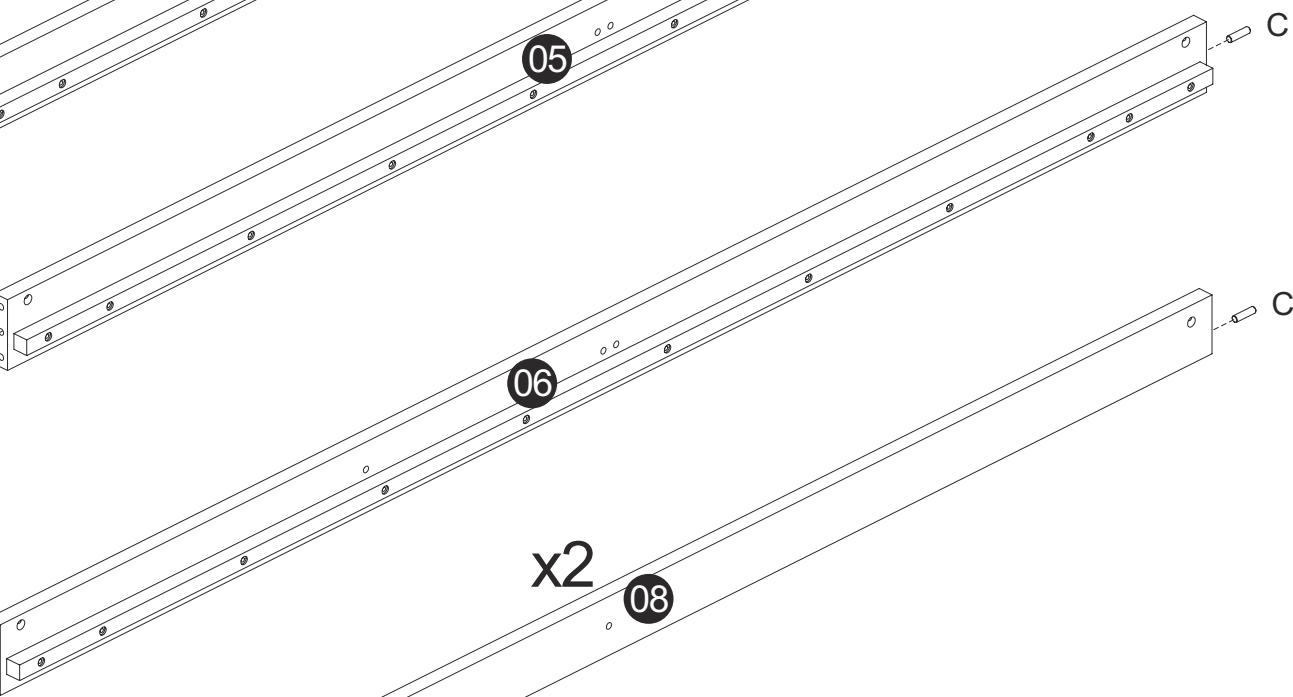
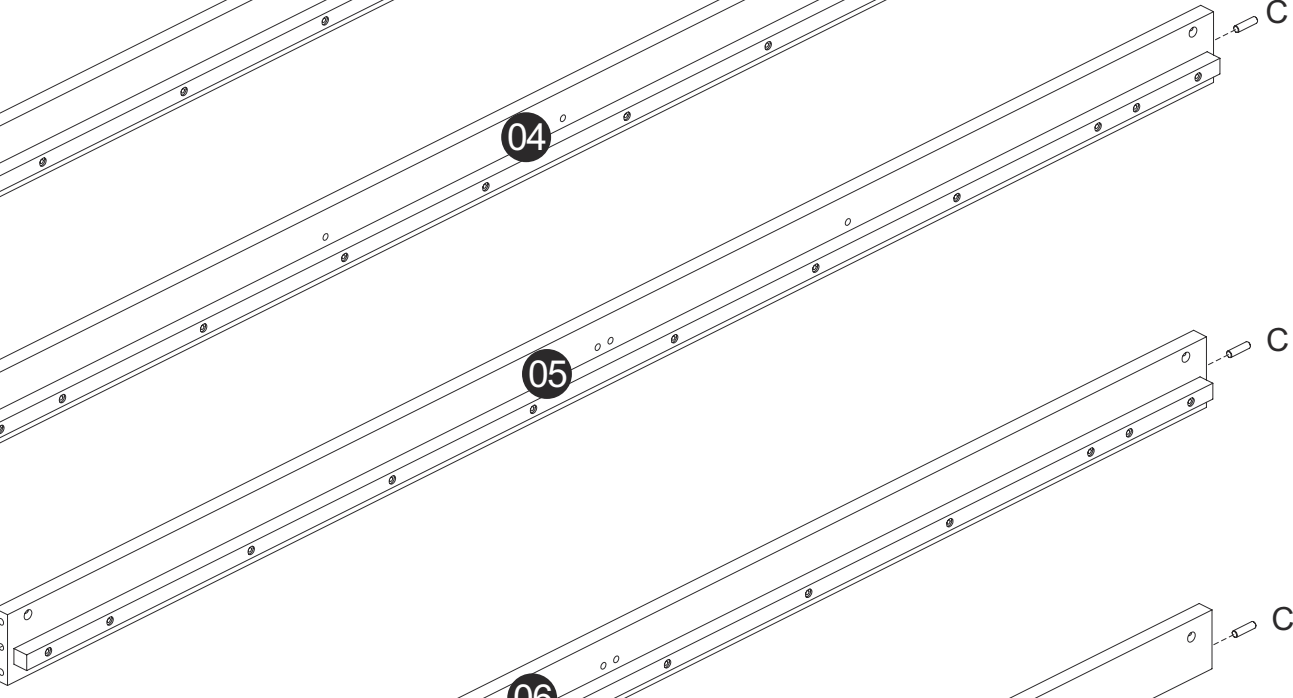
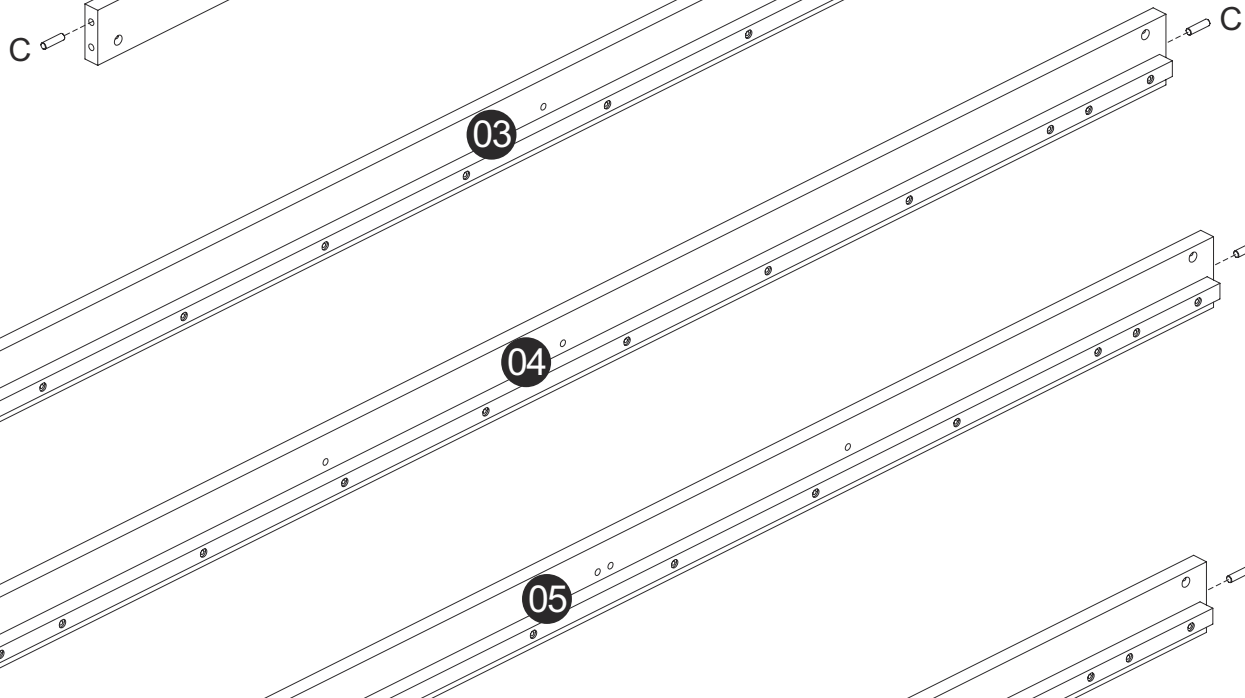
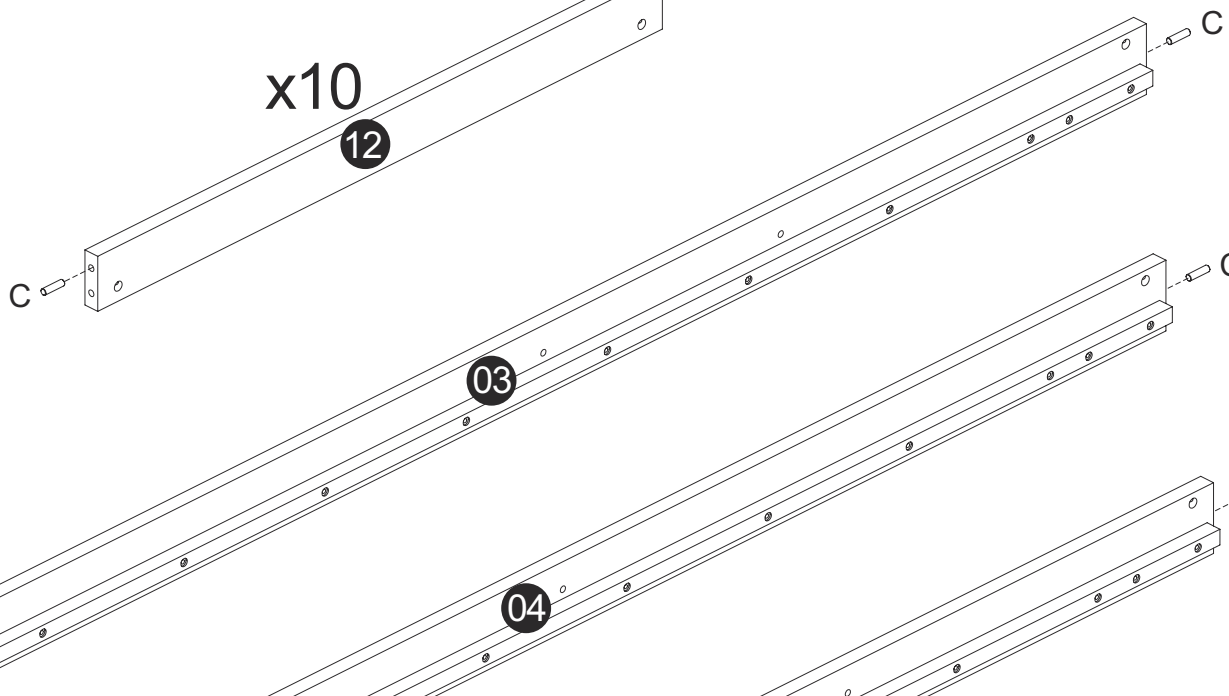
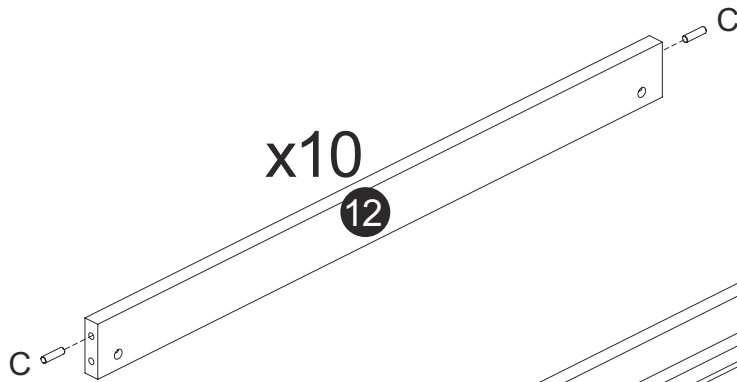
Hideaway Bunk Bed

01-1

C x32



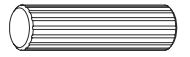
Ø8x30mm



Hideaway Bunk Bed

01-2

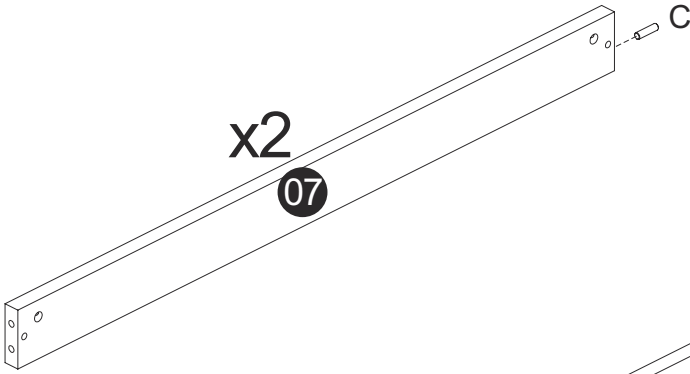
C x9



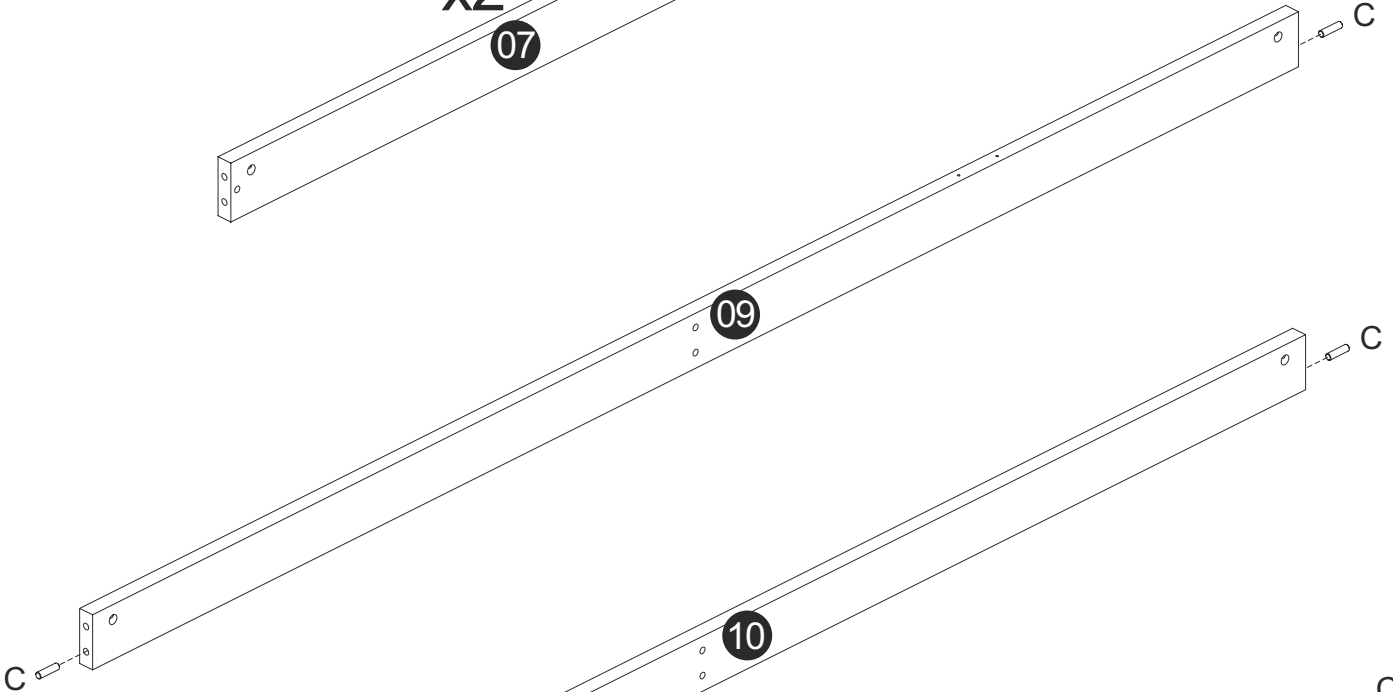
Ø8x30mm

x2

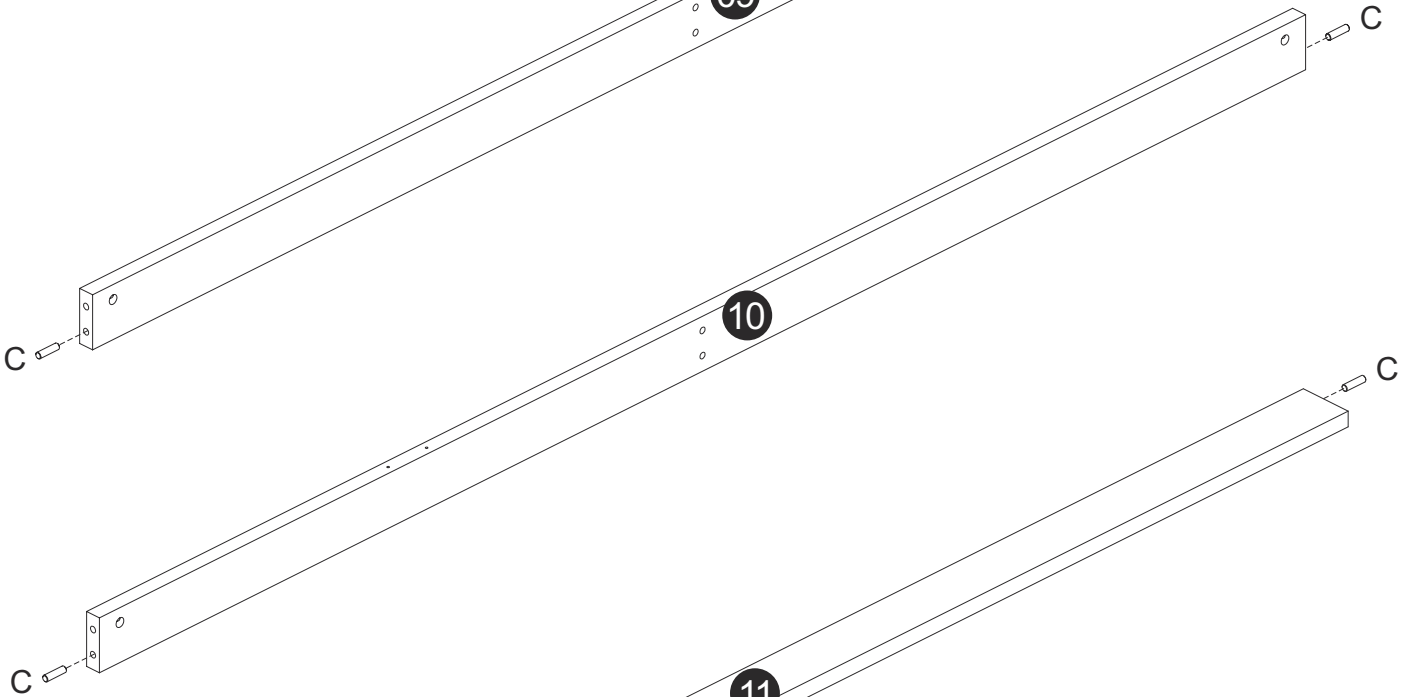
07



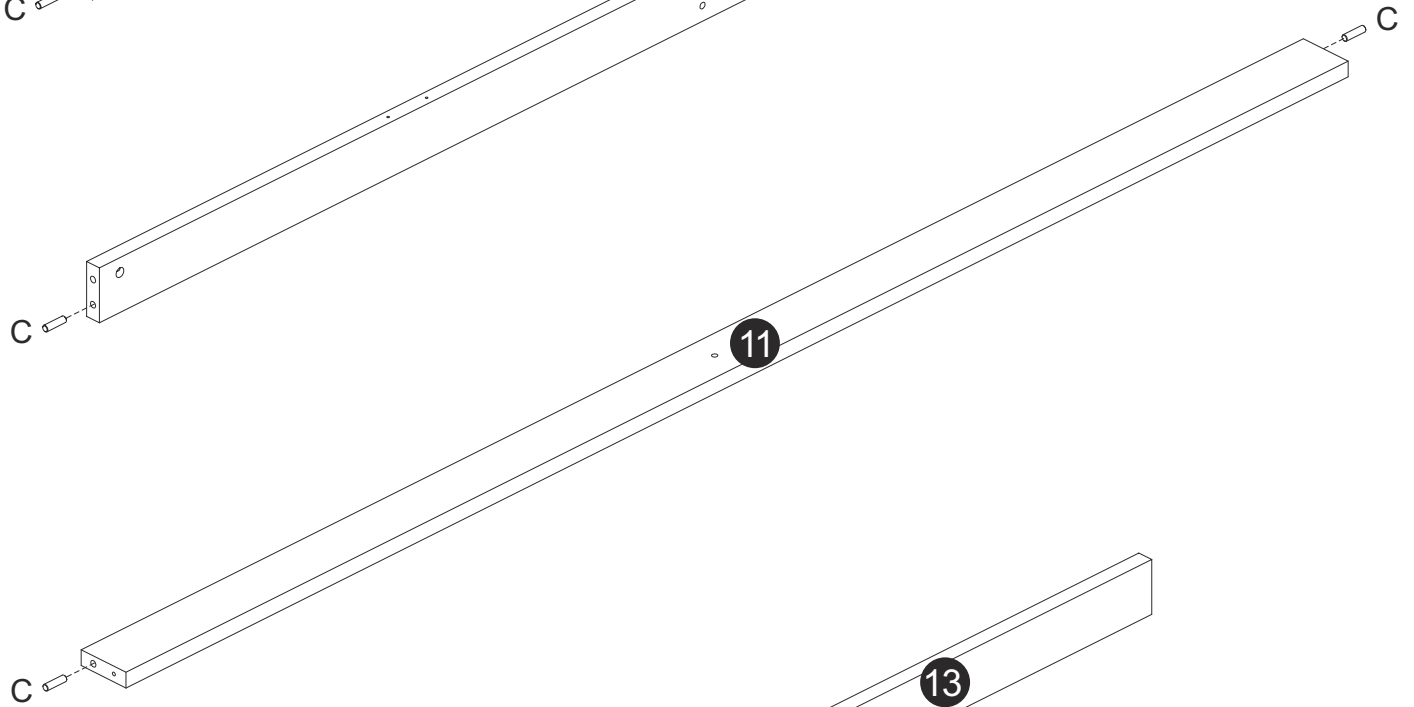
09



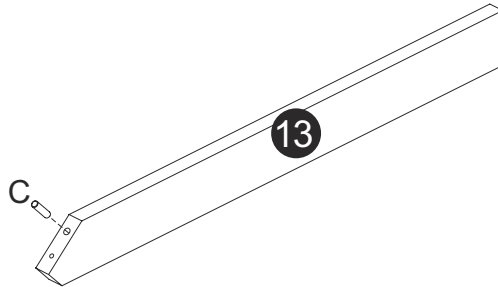
10



11



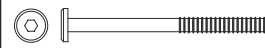
13



Hideaway Bunk Bed

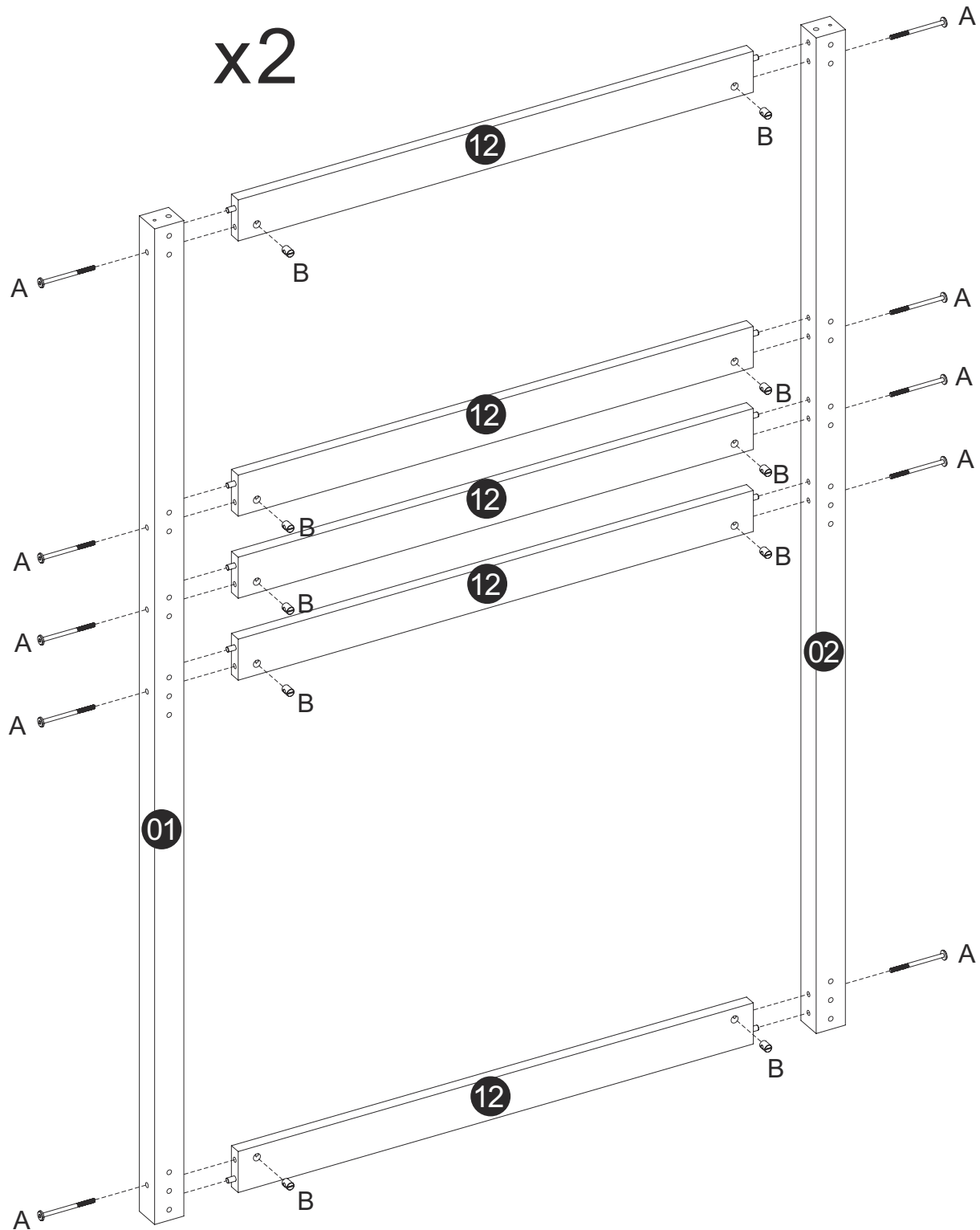
02

A x20



M6x90mm

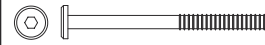
B x20



Hideaway Bunk Bed

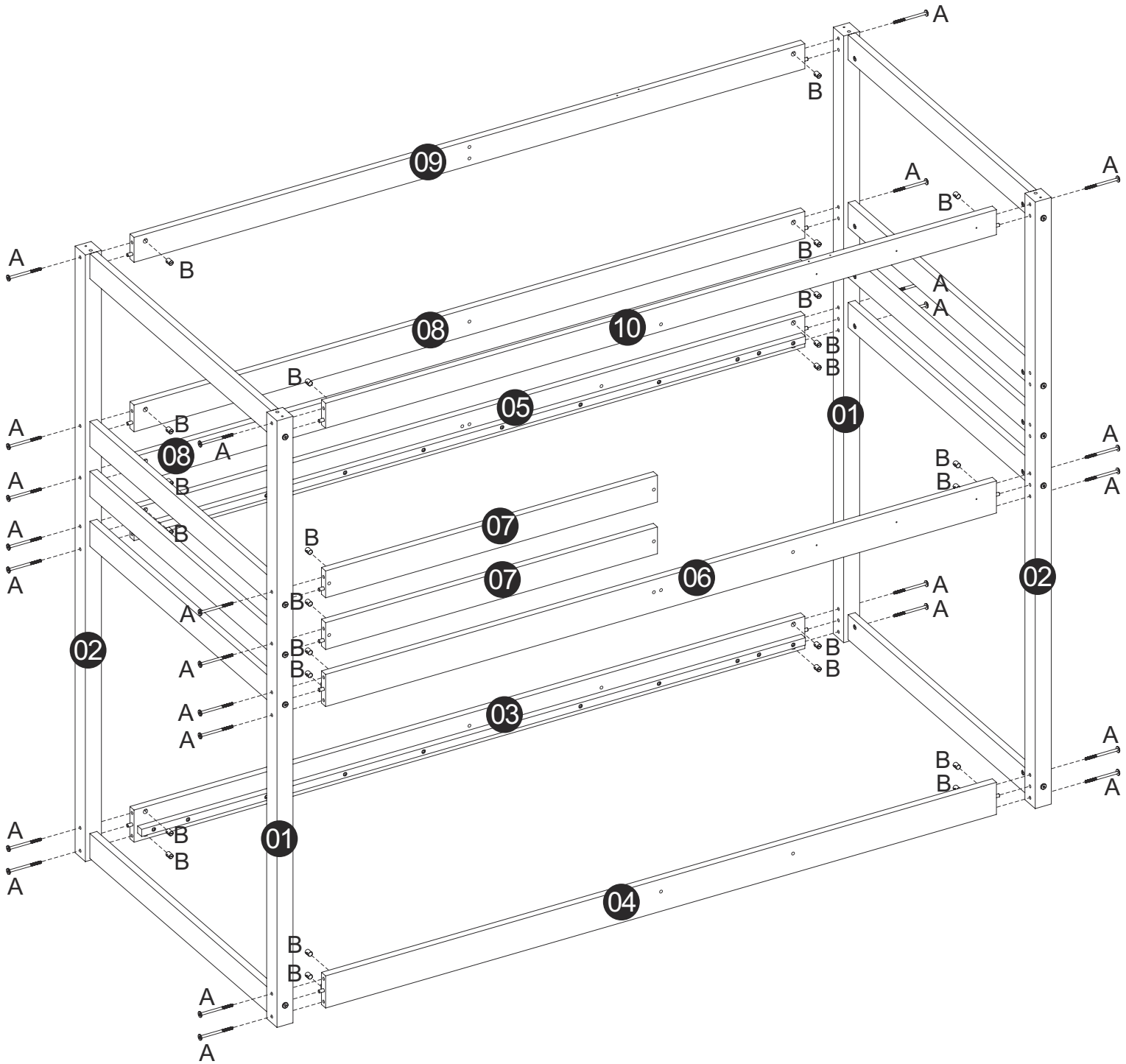
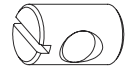
03

A x26



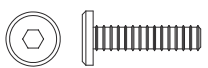

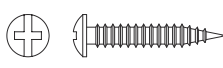
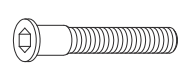
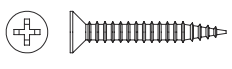
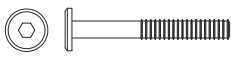
M6x90mm

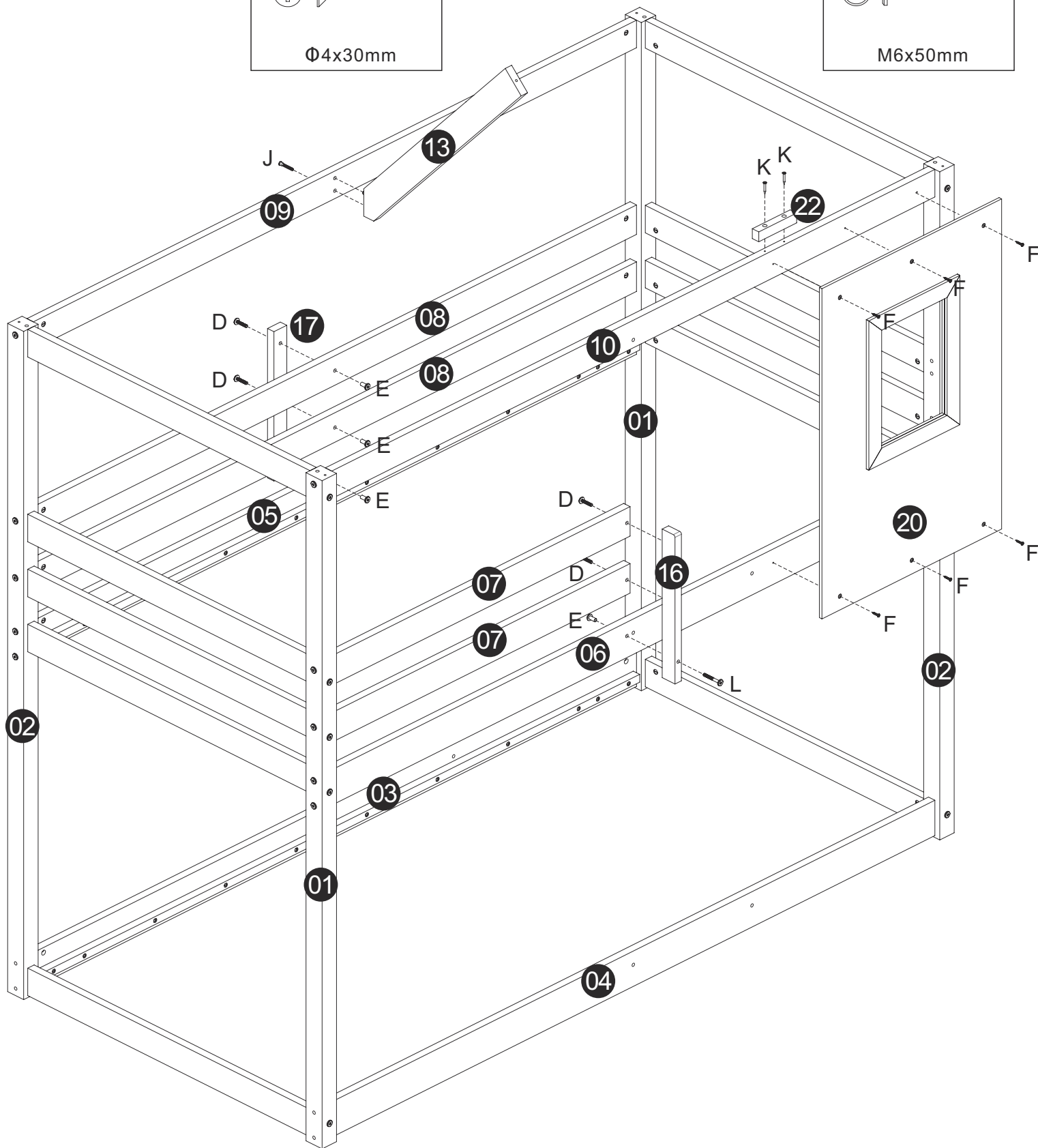
B x26



Hideaway Bunk Bed

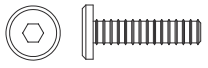
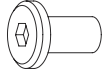
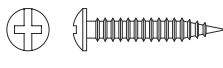
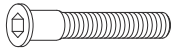


04 Option A

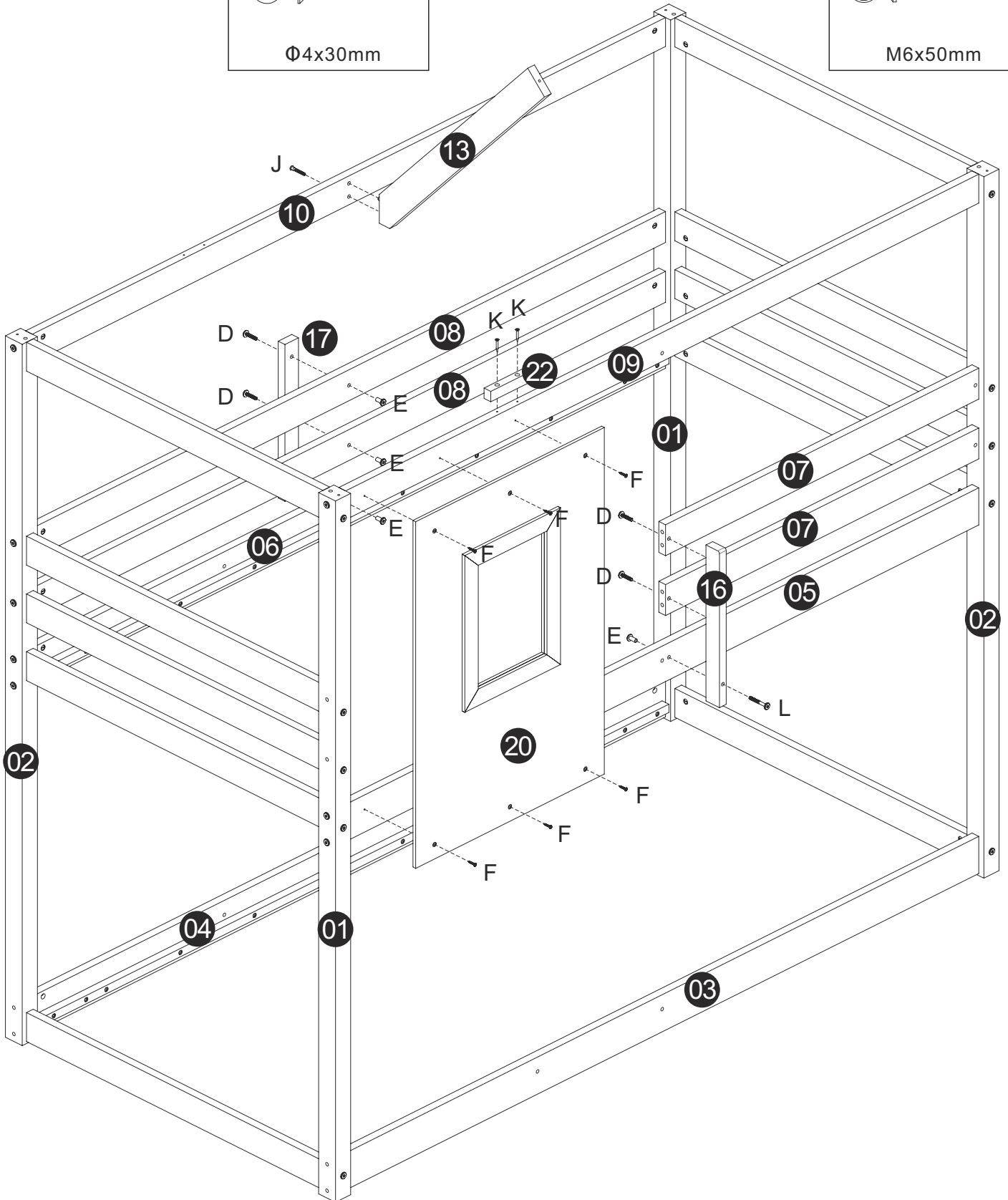
<p>D x5</p>  <p>M6x30mm</p>	<p>E x4</p> 	<p>F x6</p>  <p>Ø4x20mm</p>	<p>J x1</p>  <p>Ø7x40mm</p>
<p>K x2</p>  <p>Ø4x30mm</p>			<p>L x1</p>  <p>M6x50mm</p>



Hideaway Bunk Bed

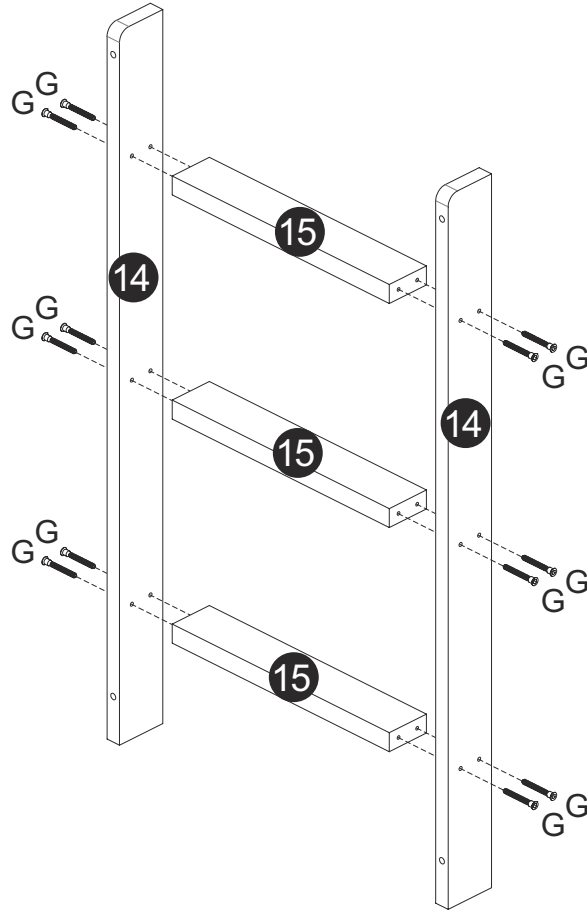
04 Option B

<p>D x5</p>  <p>M6x30mm</p>	<p>E x4</p> 	<p>F x6</p>  <p>Φ4x20mm</p>	<p>J x1</p>  <p>Φ7x40mm</p>
<p>K x2</p>  <p>Φ4x30mm</p>			<p>L x1</p>  <p>M6x50mm</p>

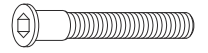


Hideaway Bunk Bed

05

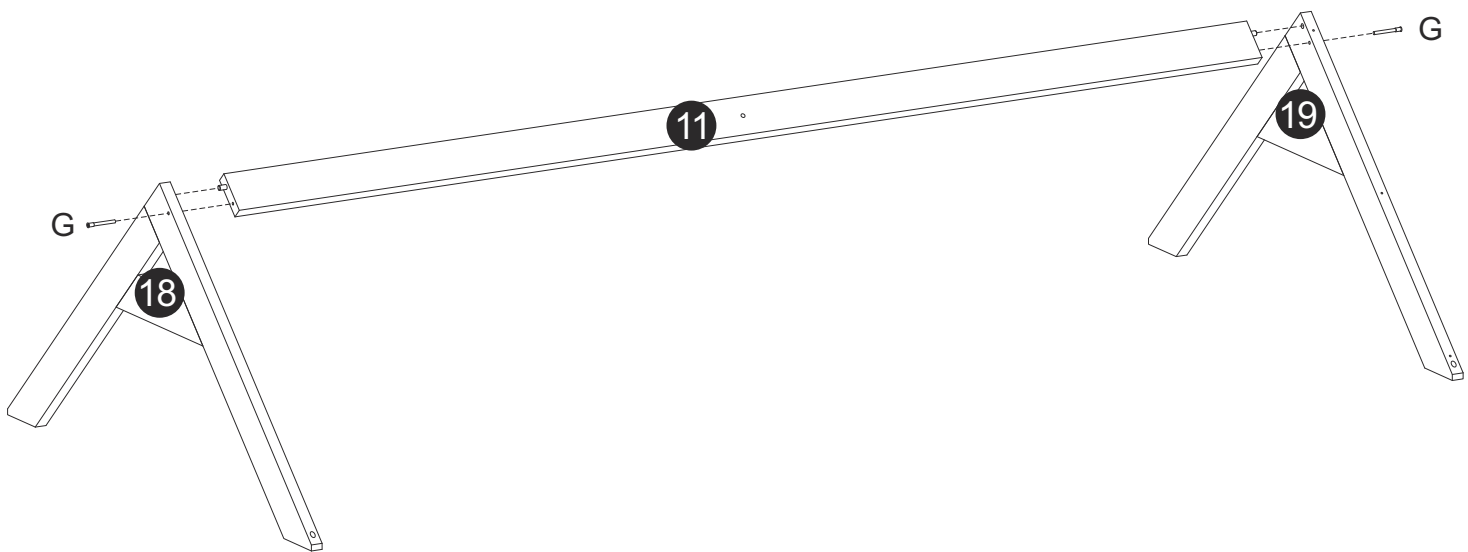


G x12

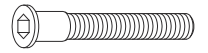


Φ7x50mm

06




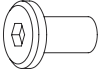
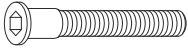

G x2

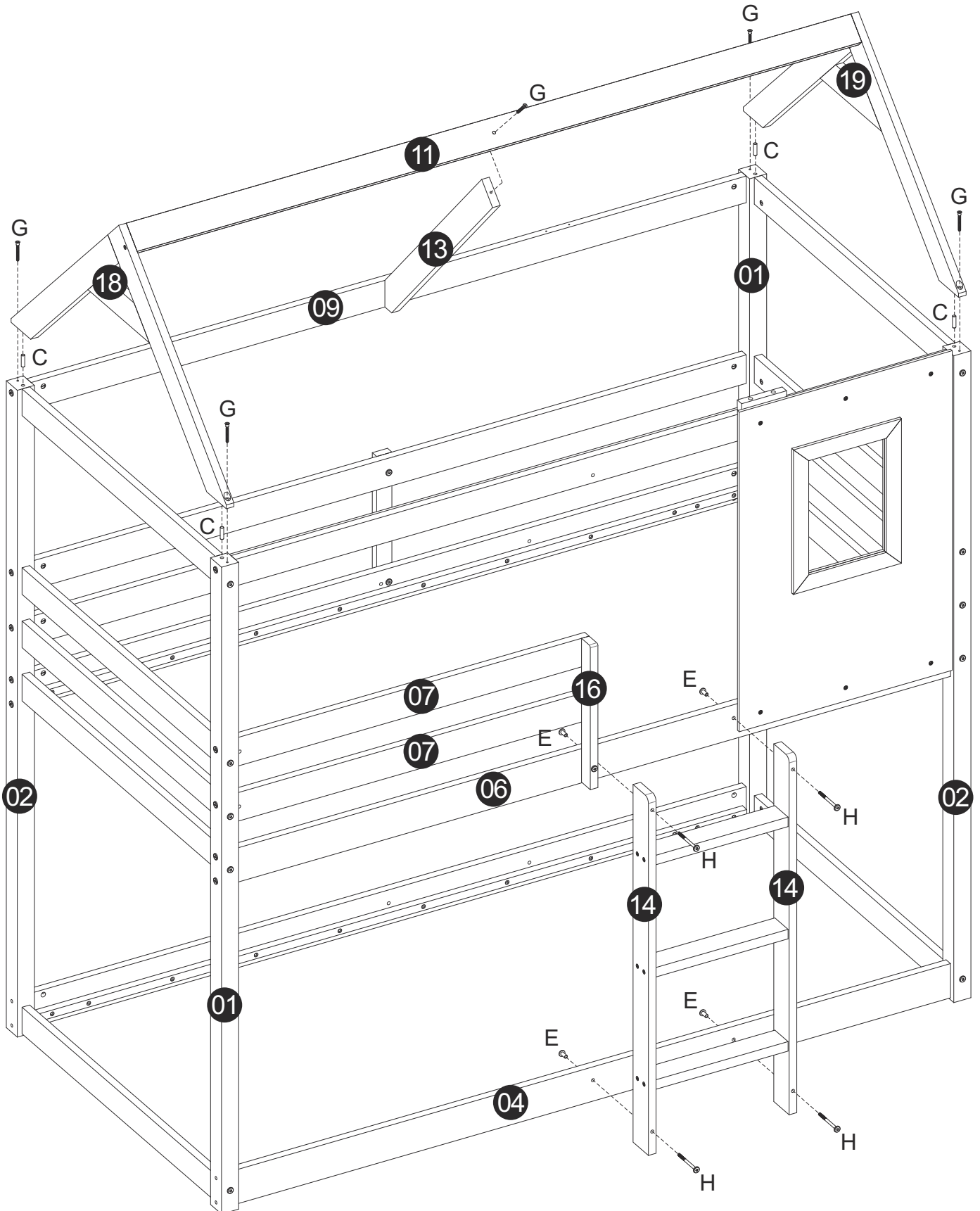


Φ7x50mm

Hideaway Bunk Bed

07 Option A

<p>C x4</p>  <p>Ø8x30mm</p>	<p>E x4</p> 	<p>G x5</p>  <p>Ø7x50mm</p>	<p>H x4</p>  <p>M6x80mm</p>
--	---	--	--



Hideaway Bunk Bed

07

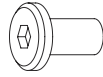
Option B

C x4

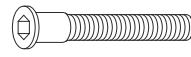


Ø8x30mm

E x4

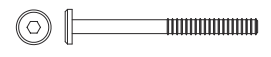


G x5

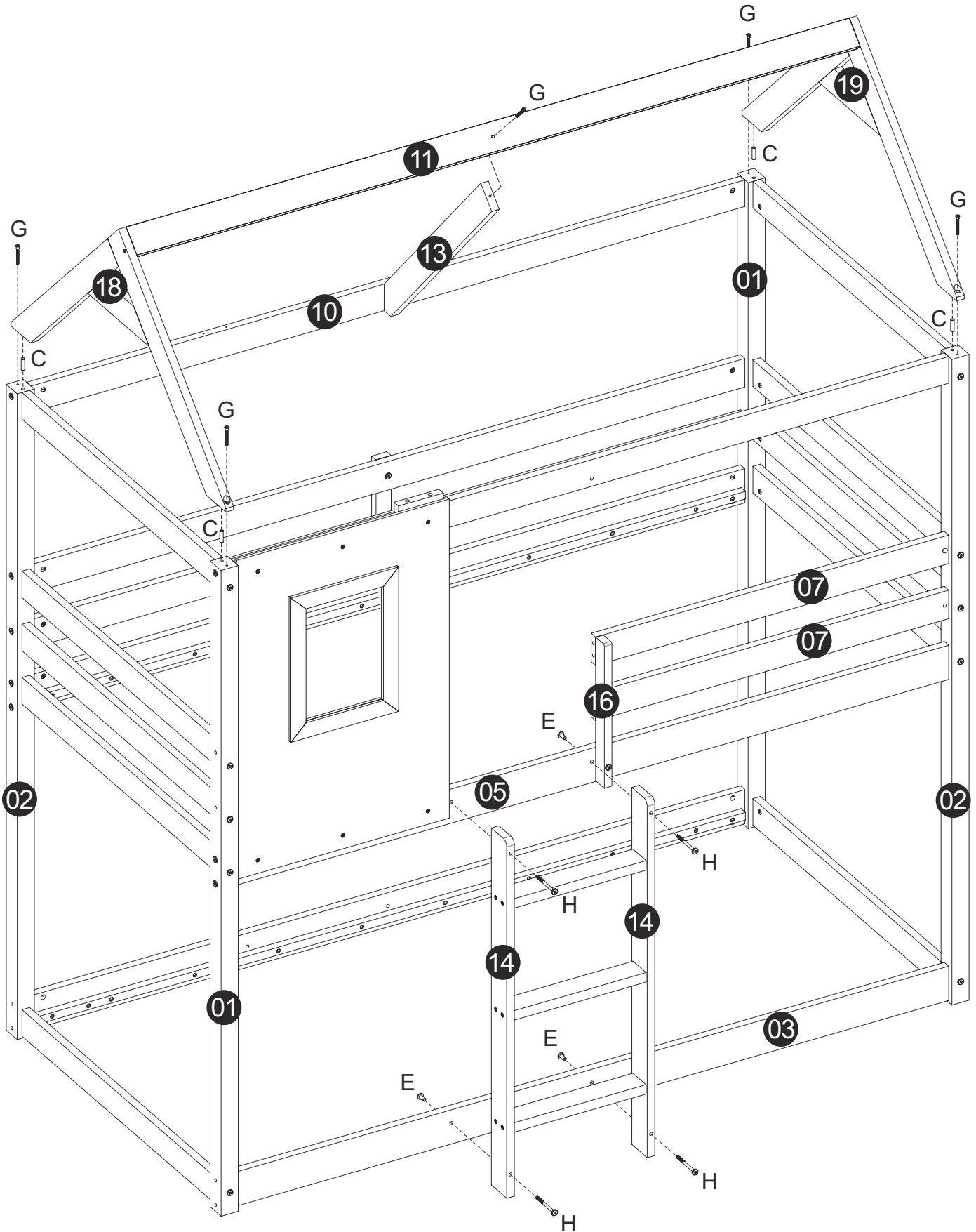


Ø7x50mm

H x4



M6x80mm

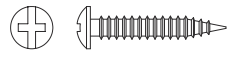


Hideaway Bunk Bed

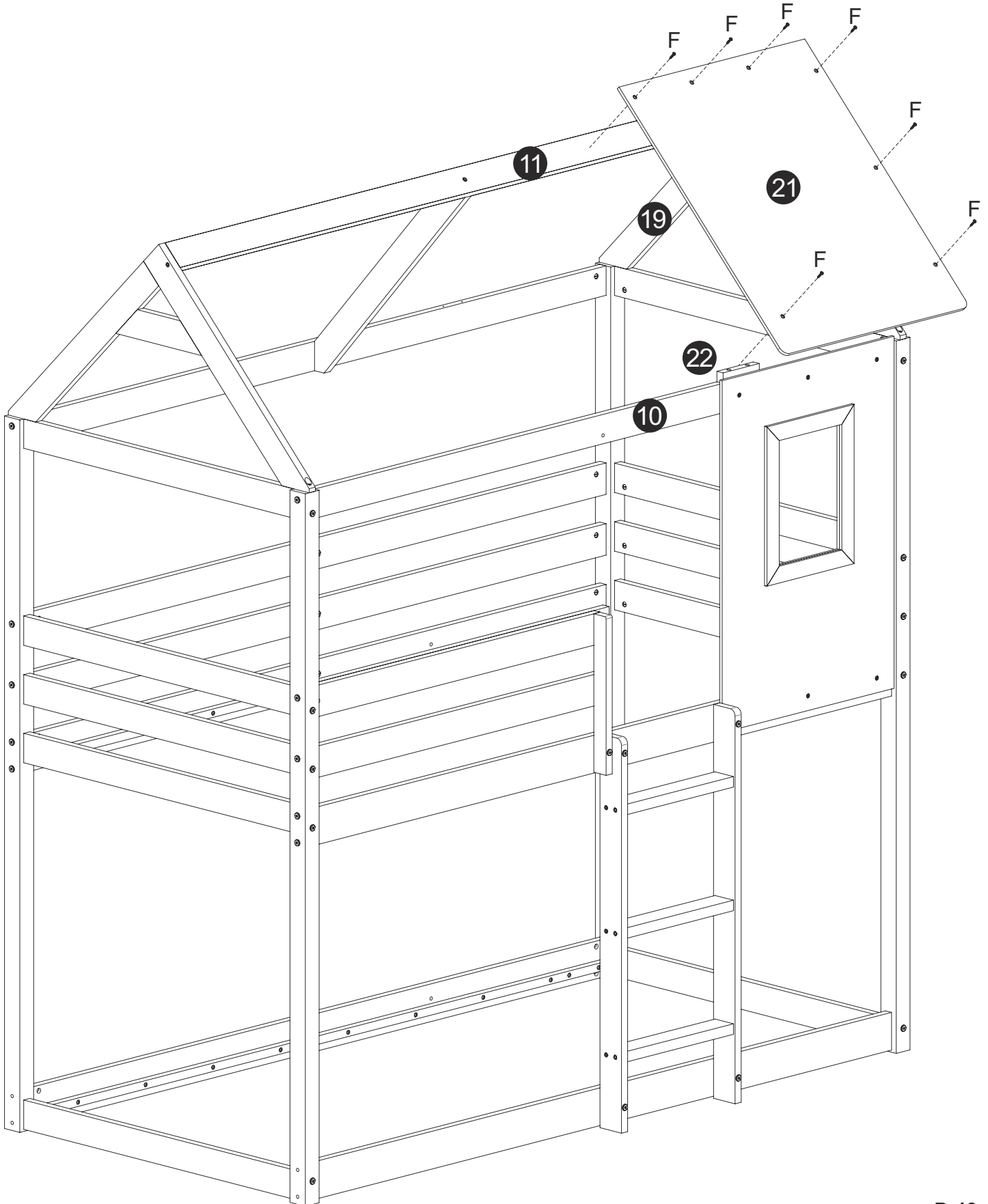
08

Option A

F x7



Ø4x20mm

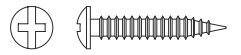


Hideaway Bunk Bed

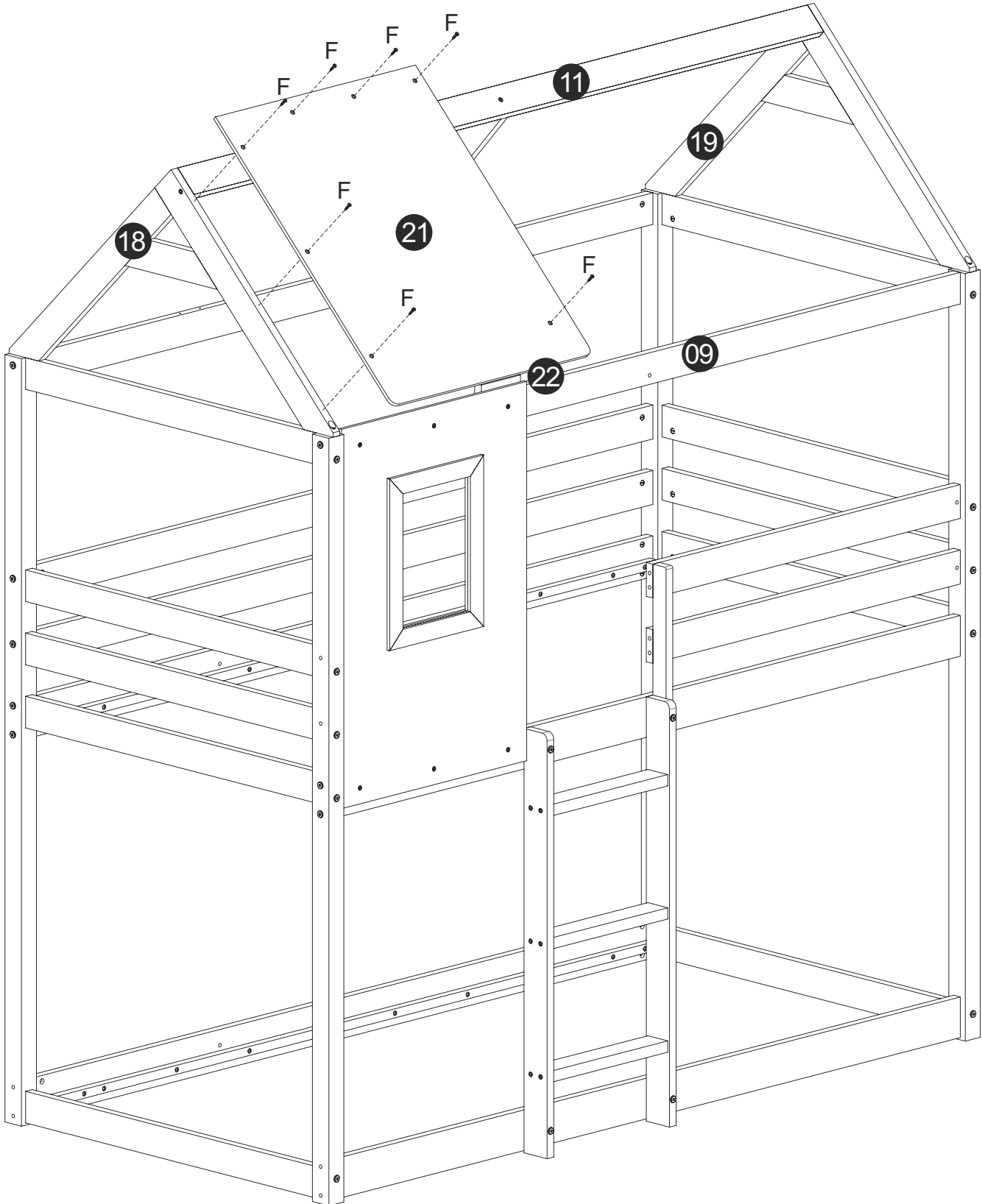
08

Option B

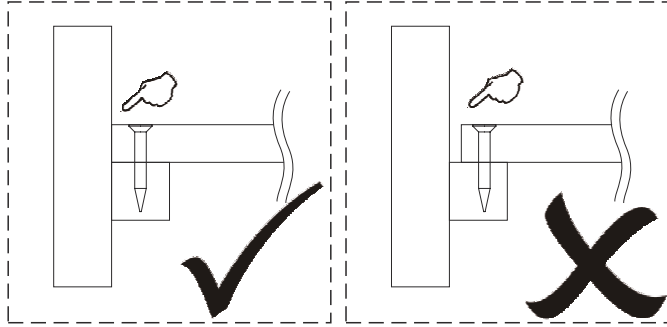
F x7



Ø4x20mm



09



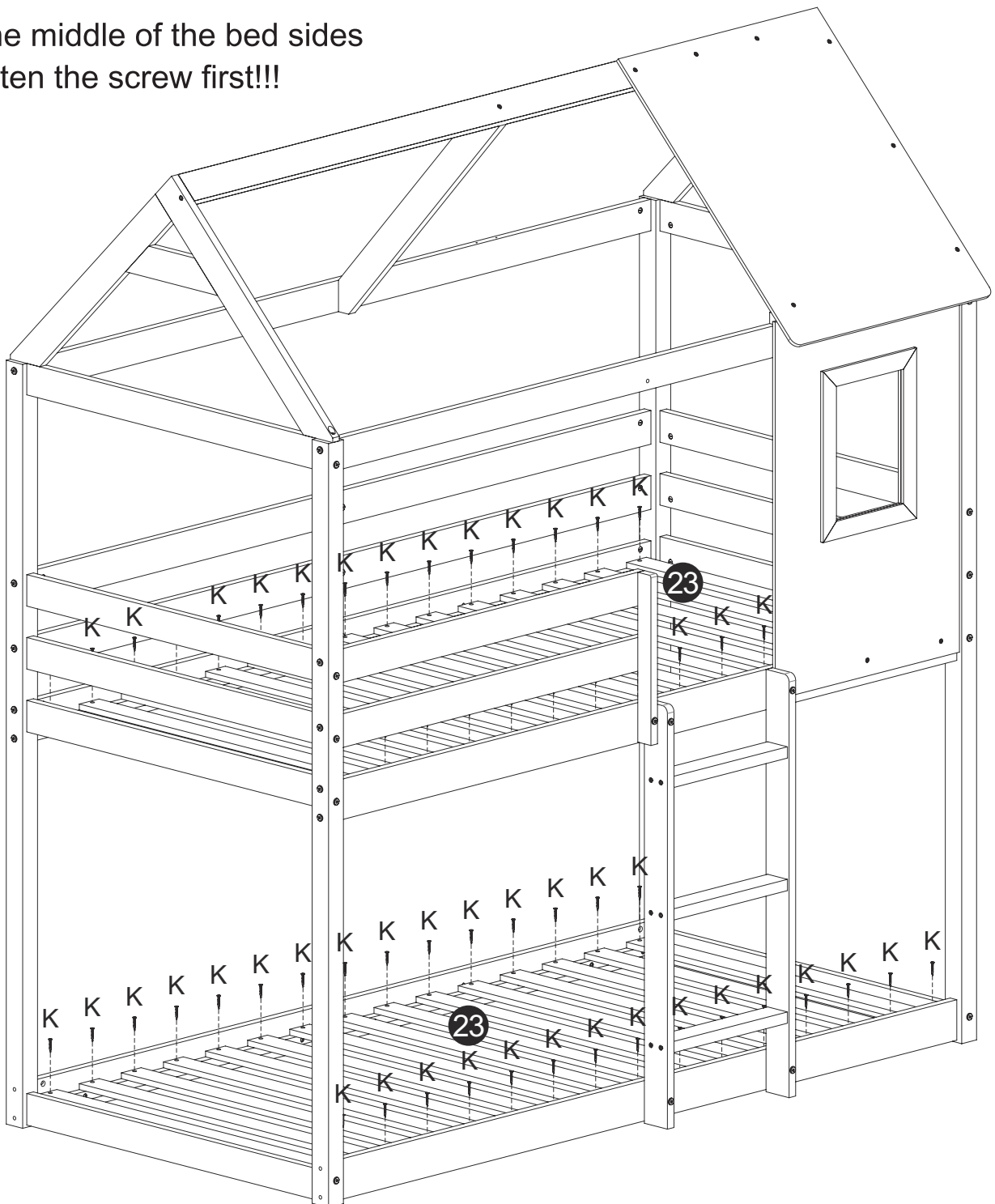
K x60



Ø4x30mm

WARNING!

Press the middle of the bed sides
and tighten the screw first!!!

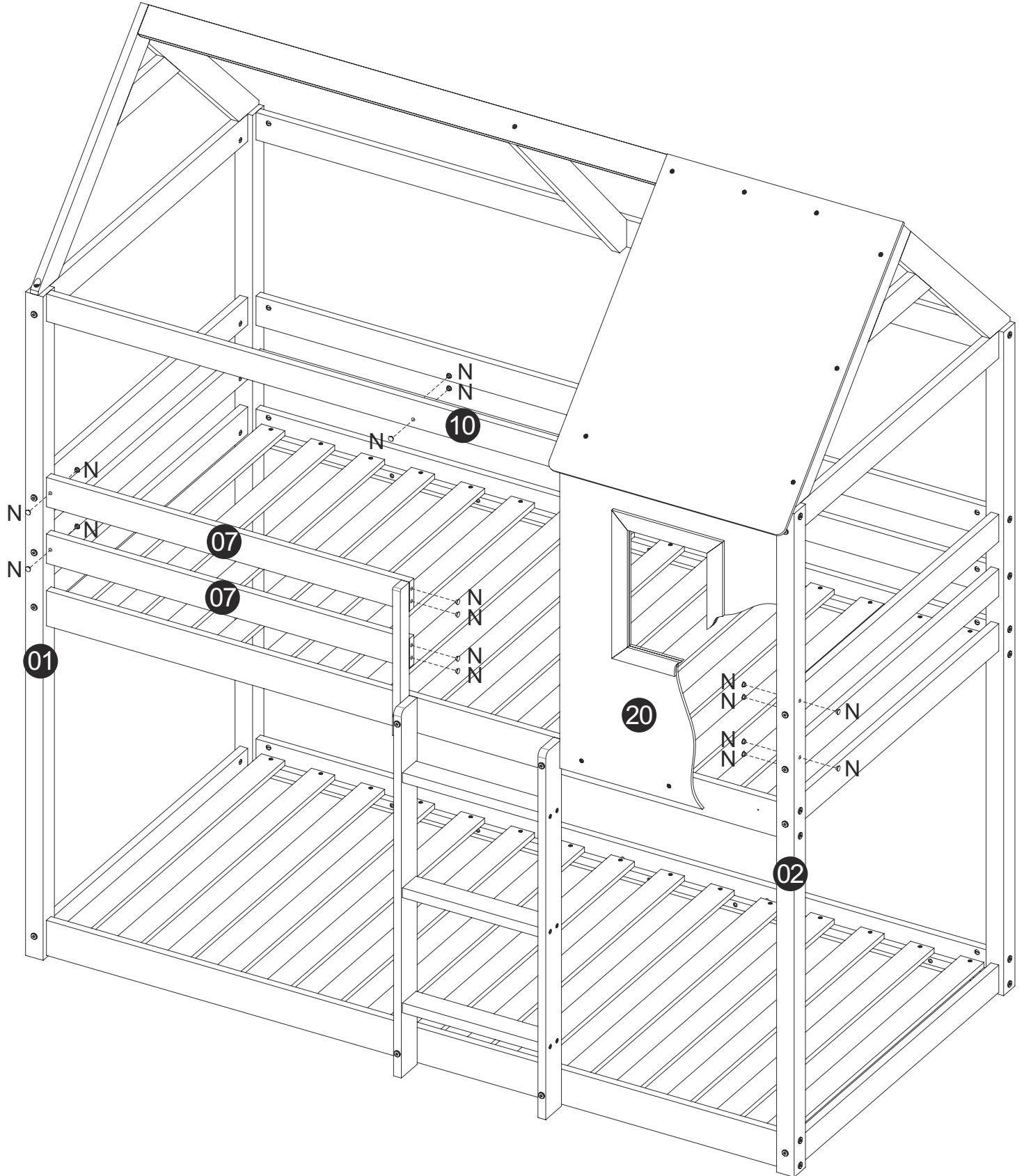


Hideaway Bunk Bed

10

Option A

N x17



Hideaway Bunk Bed

10

Option B

N x17

