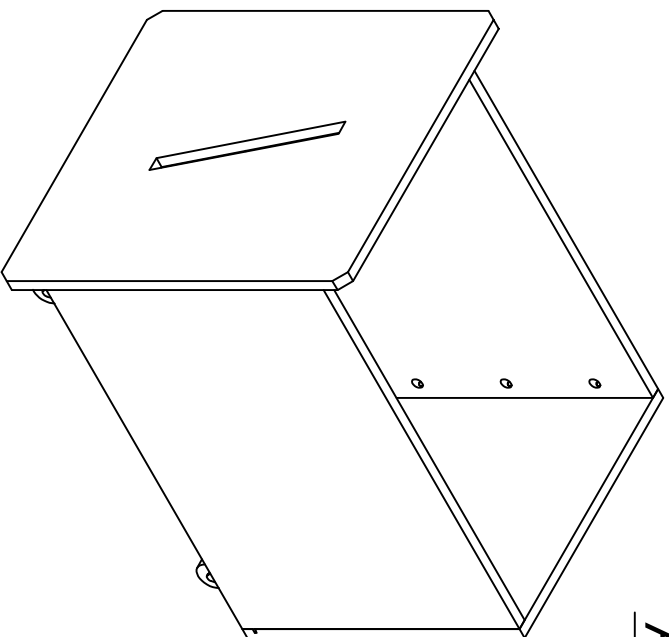


ASSEMBLY INSTRUCTIONS






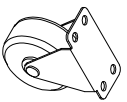

ASSEMBLY TIPS

1. Remove hardware from box and sort by size.
2. Please check to see that all hardware and parts are present prior start of assembly.
3. Please follow attached instructions in the same sequence as numbered to assure fast and easy assembly.

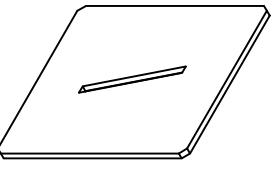
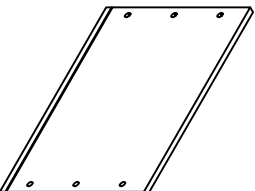
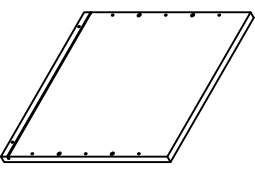
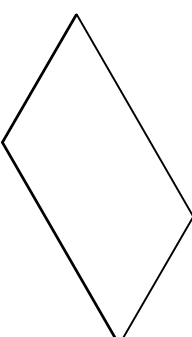
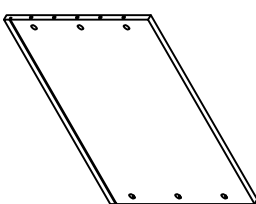
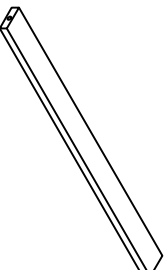
WARNING!

1. Don't attempt to repair or modify part that are broken or defective. Please contact the store immediately.
2. This product is for home use only and not intended for commercial establishments.

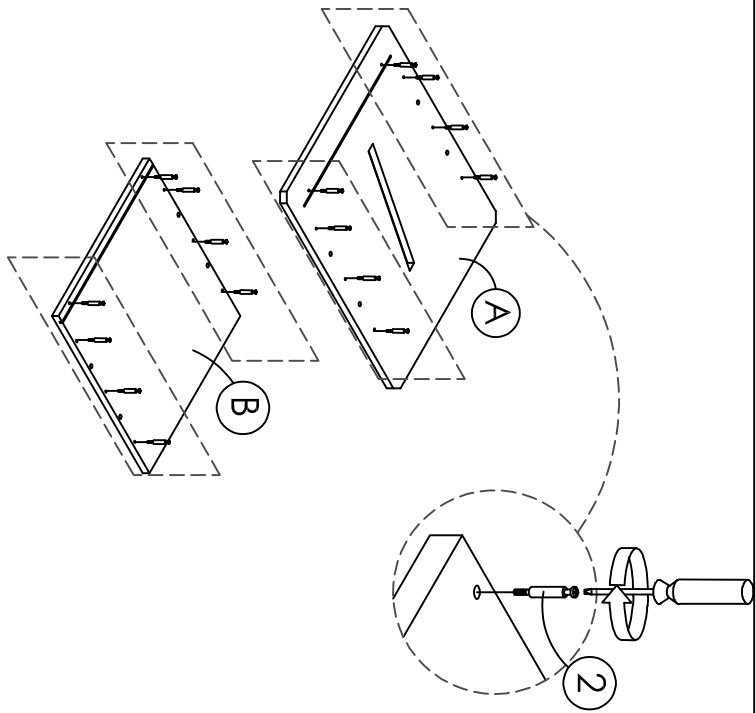
HARDWARE LIST

32 pcs		16 pcs	
1		4	
	MINIFIX CAM		WOOD SCREW 3.5 x 16mm
32 pcs		4 pcs	
2		5	
	MINIFIX BOLT		WHEEL
16 pcs			
3			
	WOOD DOWEL Ø8 x 30mm		

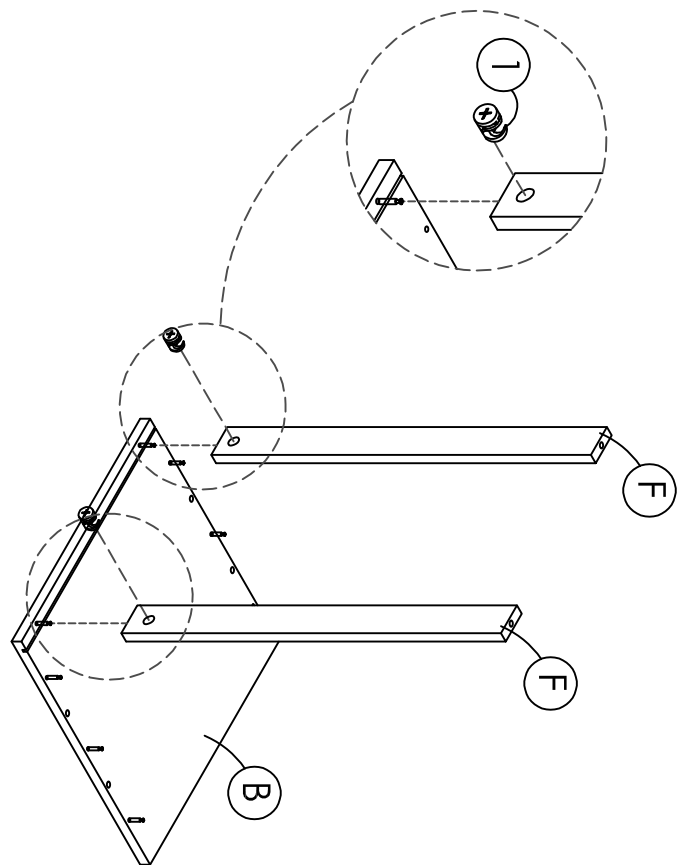
COMPONENT LIST

2 pcs		2 pcs	
A		D	
	FRONT PANEL		SIDE PANEL
2 pcs		2 pcs	
B		E	
	BACK PANEL		BOTTOM PANEL
2 pcs		4 pcs	
C		F	
	LEFT SIDE PANEL		SUPPORT RAIL

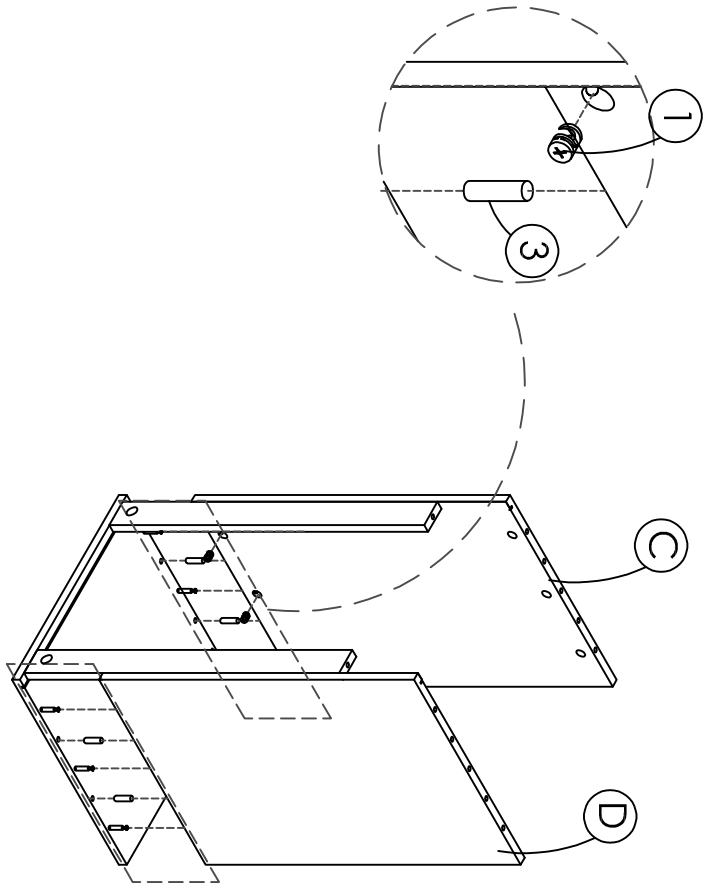
STEP 1



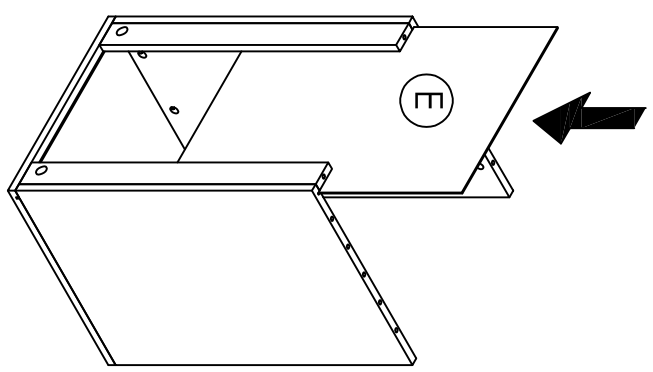
STEP 2



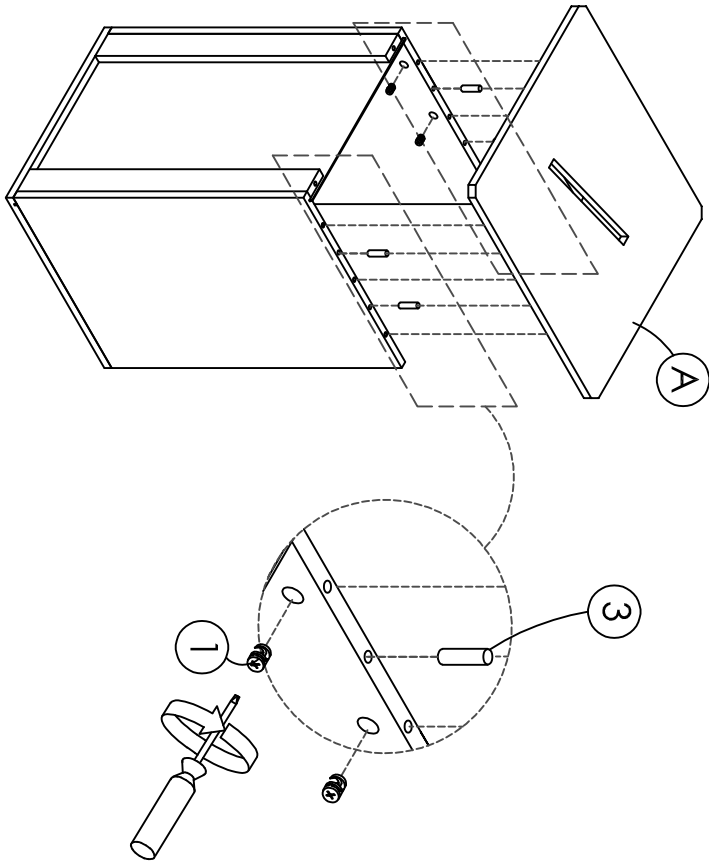
STEP 3



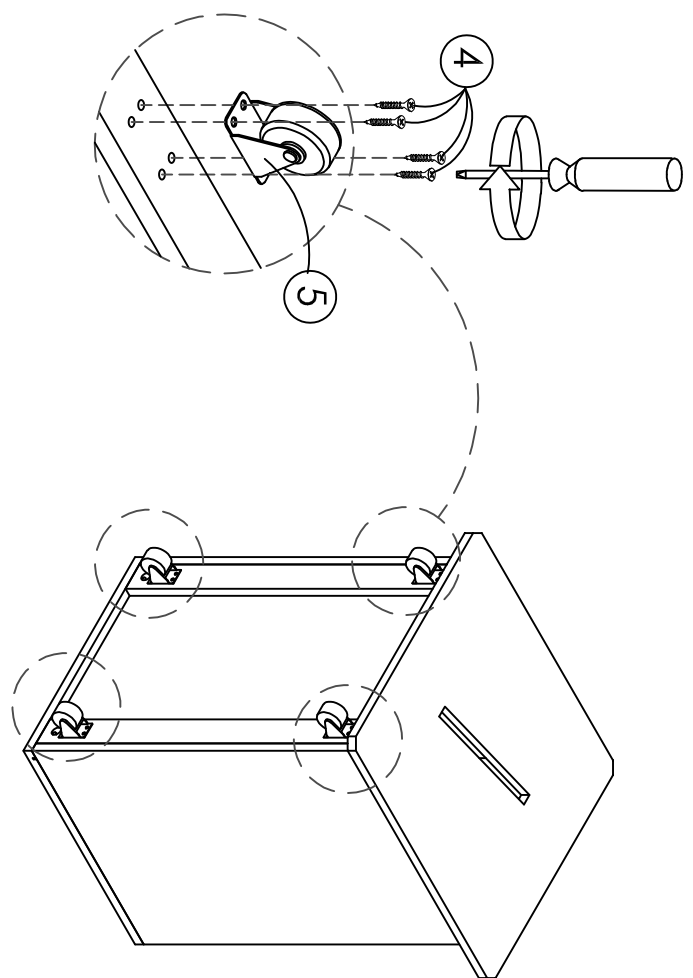
STEP 4



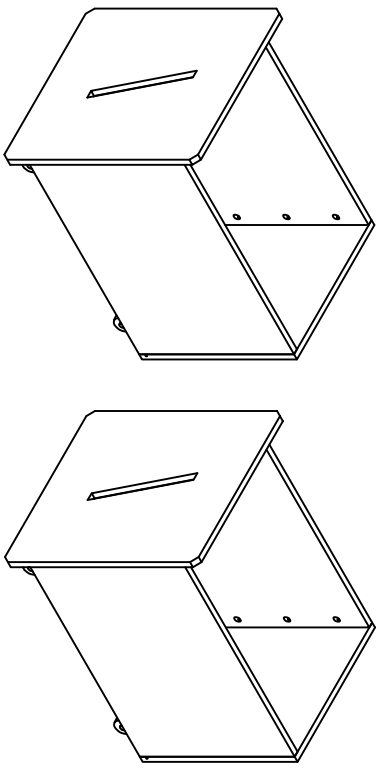
STEP 5



STEP 6



STEP 7



COMPLETE

