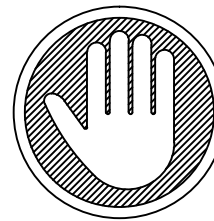
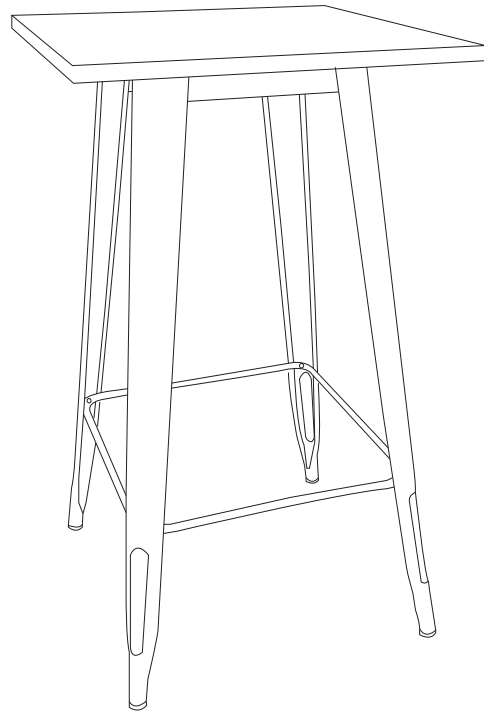


Square Bar Table

2286059UK - Black

2286159UK - White

2286459UK - Antique Gun Metal



THIS INSTRUCTION BOOKLET CONTAINS **IMPORTANT** SAFETY INFORMATION. PLEASE READ AND KEEP FOR FUTURE REFERENCE.

Read Before Beginning Assembly

Call 01942 524100 if you need assistance.

Work in a spacious area and near where the unit will be used, preferably on a carpet, or use a piece of the cardboard packaging to protect your floor and product.

Recommended # of people needed for assembly: **1** (however it is always better to have an extra hand). Estimated assembly time is **30min**.

Make sure all parts are included. Most parts are labeled or stamped on the raw edge.

Read each step carefully. It is very important that each step of the instructions is performed in the correct order. If these steps are not followed in sequence, assembly difficulties will occur.

Contact Us!

For help with assembly, identifying parts, product information or to order parts, please contact us:



cseurope@dorel.com

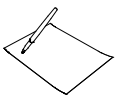


01942 524100

Monday to Friday 9:00 am to 9:00 pm (Eastern Time)

Saturday 10 am to 6:30 pm (Eastern Time)

Sunday 11 am to 7 pm (Eastern Time)



Consumer Services

Dorel Home Furnishings Europe
Building 4, Imperial Place
Maxwell Road, Borehamwood
WD6 1JN United Kingdom

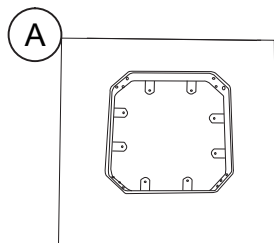
Caution

- This product is designed for home use and not intended for commercial use.
- This product contains small components. Please ensure that they are kept away from small children.
- Do not use power tools to assemble your furniture. Power tools may strip or damage the parts.

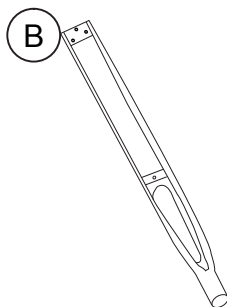


Parts

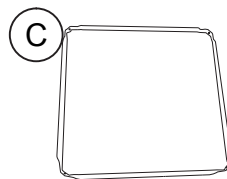
Replacement Parts, visit




□
Top
X 1




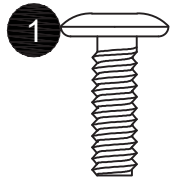
□
Leg
X 4



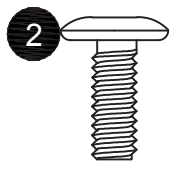
□
Metal support
X 1

 All in 1 big box!

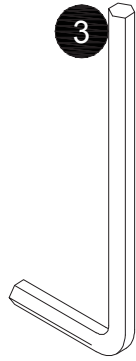
 Before you throw the package, please use the Check Box to identify the parts and ensure that you have all the parts needed for the assembly.



M6 X 20mm
X 12




M6 X 14mm
X 4




Allen Key
5mm
X 1

Hardware Pack

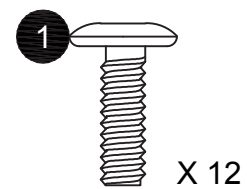
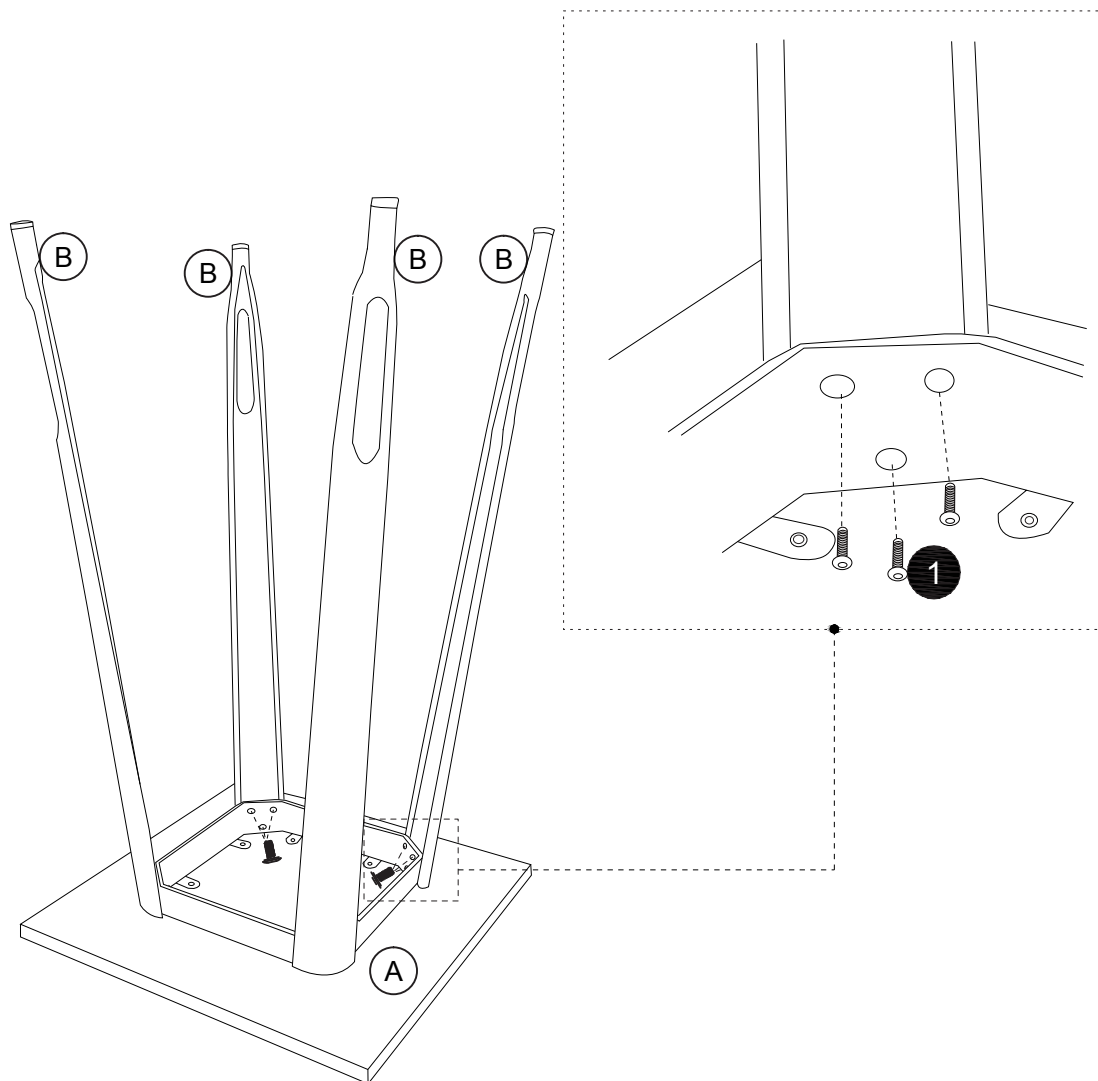
Hardware Pack #: T2286059-00

 Please do not completely tighten all the hardware, until the entire assembly is completed, unless otherwise indicated in the step-by-step instructions.

 The screw(s), bolt(s) to be used at each step are shown in actual size in the lower right corner of the page.

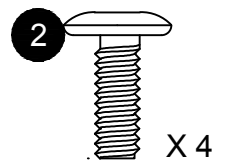
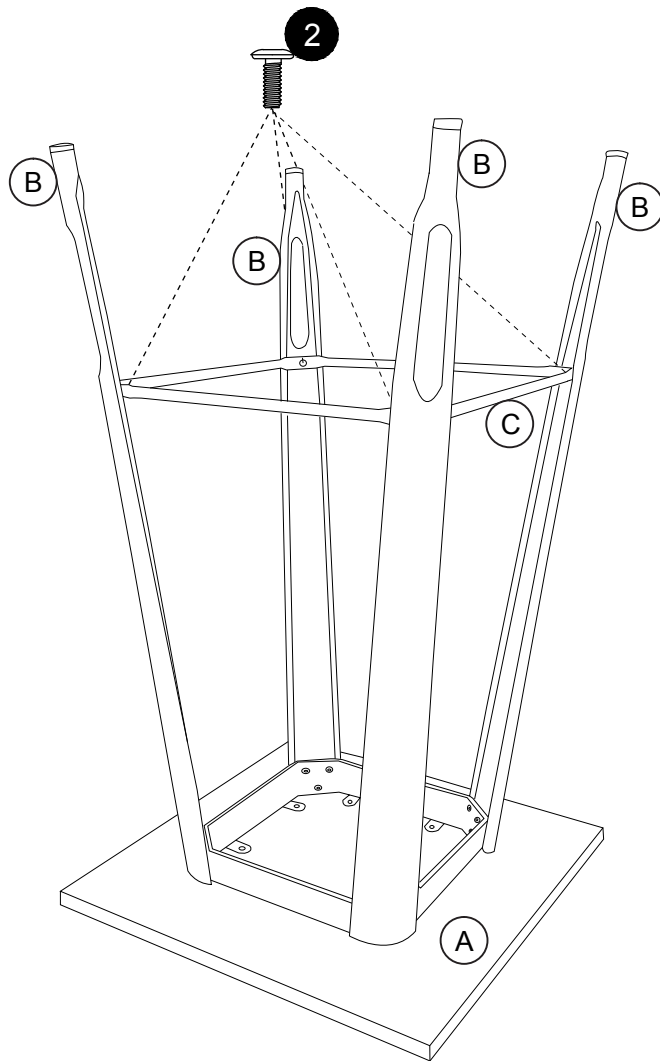
Step 1


Attach **B** x 4 to **A** with **1**, as shown.

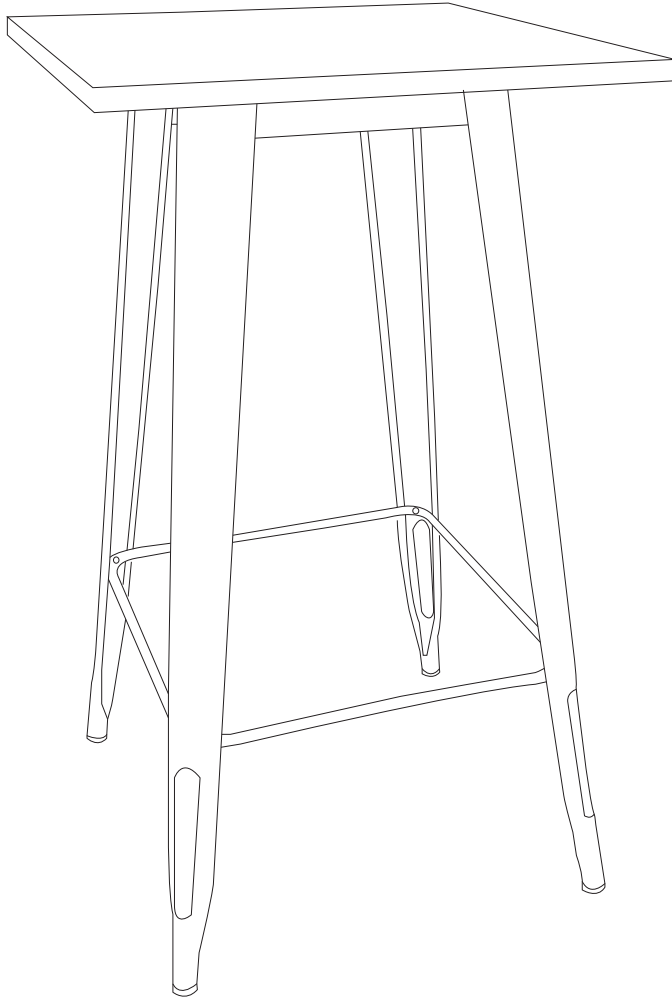


Step 2

Attach **C** to **B** x 4 with **2**, as shown.



 Weight Limit: 50 Lb /23 Kg



Helpful Hints

- Move your new furniture carefully, with two people lifting and carrying the unit to its new location.
- Your furniture can be disassembled and reassembled to move.
- Clean the product with a soft damp cloth. **DO NOT** use harsh chemicals or abrasive cleaners.