

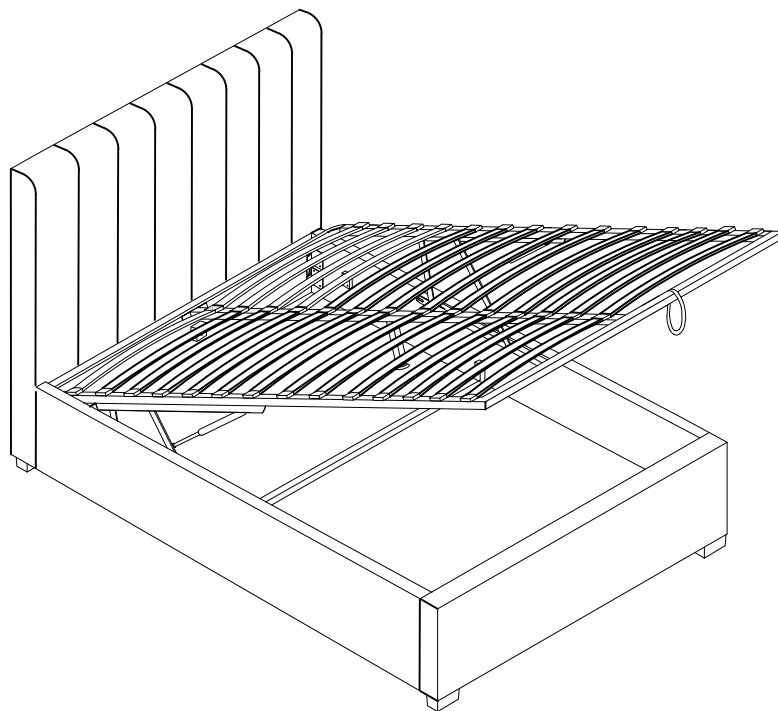
ASSEMBLY INSTRUCTION

WALTZ OTTOMAN BED

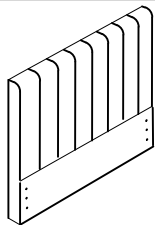
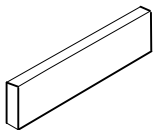
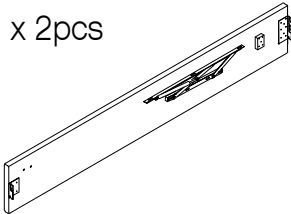
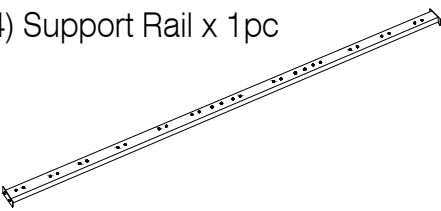
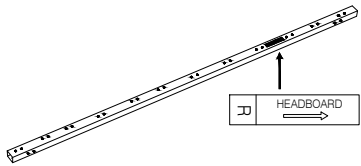
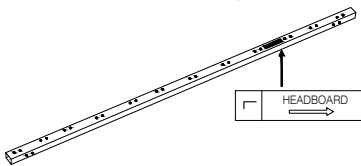
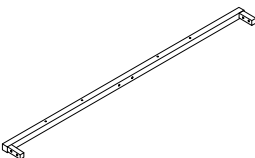
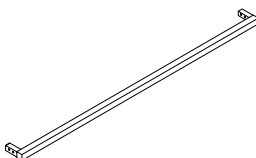
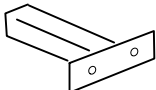

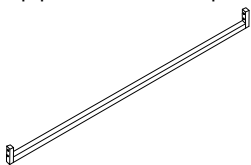
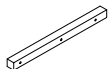
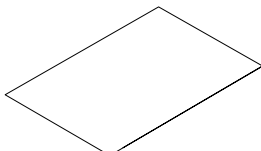

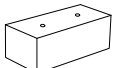



Important

If for any reason you need to return this item, you must return it in its original packaging. Assembled items cannot be returned.

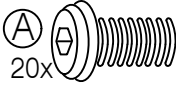
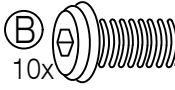
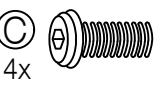
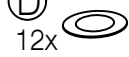

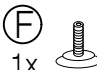
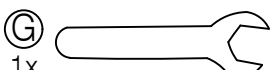
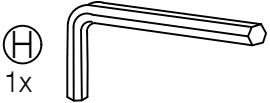
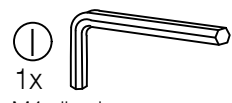


- IMPORTANT NOTE *
- PLEASE CHECK ALL PARTS CAREFULLY BEFORE YOU START THE ASSEMBLY OF YOUR FURNITURE
 - * PLACE ALL PARTS ON A CLEAN AND FLAT SOFT SURFACE TO PREVENT SCRATCHES.
 - * KINDLY FOLLOW THE ASSEMBLY INSTRUCTIONS STEP BY STEP.



Parts

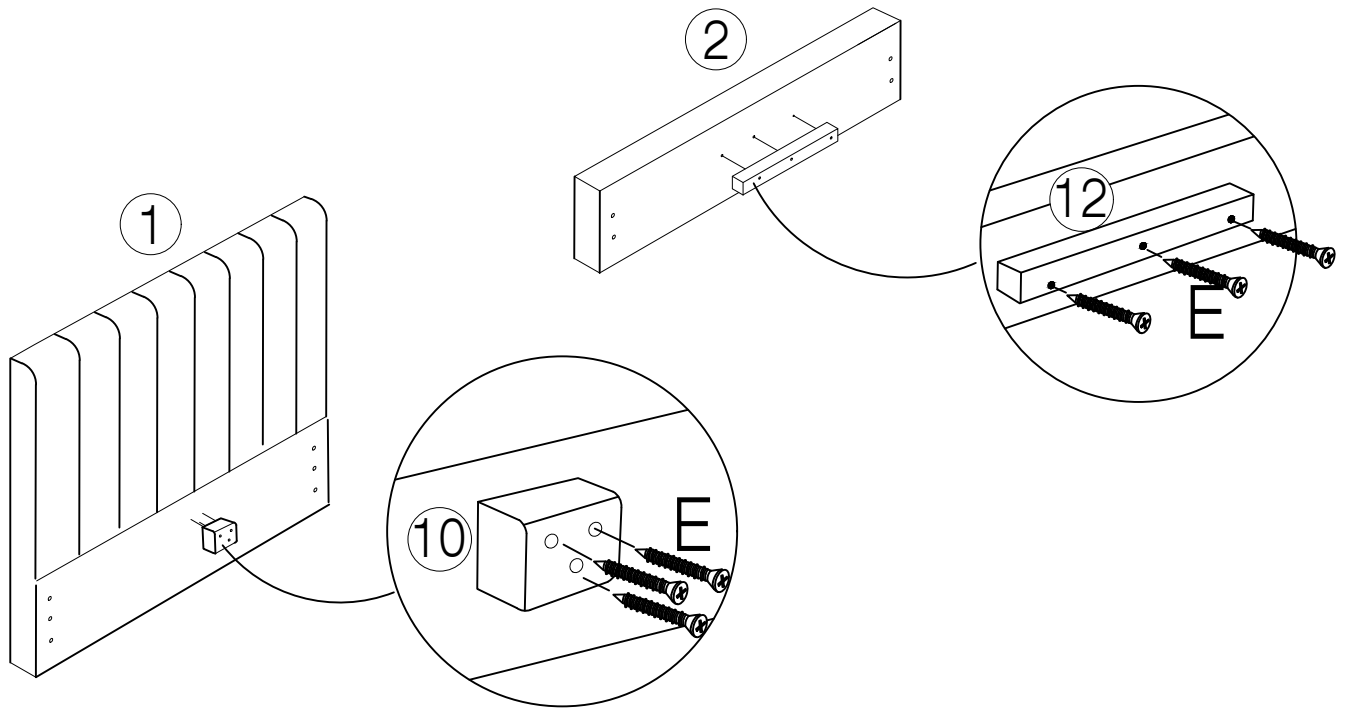
<p>(1) Headboard x 1pc</p> 	<p>(2) Footboard x 1pc</p> 	<p>(3) Side Rail x 2pcs</p> 
<p>(4) Support Rail x 1pc</p> 	<p>(5) Metal Frame Long (R) x 1pc</p> 	<p>(6) Metal Frame Long (L) x 1pc</p> 
<p>(7) Metal Frame Short x 1pcs</p> 	<p>(8) Metal Frame Short x 1pcs</p> 	<p>(9) Support Leg x 1pc</p> 
<p>(10) Headboard Support Wood x 1pc</p> 	<p>(11) Center Support Bar x 1pc</p> 	<p>(12) Footboard Support Wood x 1pc</p> 
<p>(13) Non Woven Fabric x 1pc</p> 	<p>(14) Slats x 28pcs</p> 	<p>(15) Feet x 4pcs</p> 
<p>(16) Strap x 1pc</p> 	<p>(17) Metal Corner Plate - 2pcs</p> 	<p>(18) Mattress Stopper - 2pcs</p> 

Fittings

<p>(A) 20x 16mm M8 bolt</p> 	<p>(B) 10x 30mm M8 bolt</p> 	<p>(C) 4x 30mm M6 bolt</p> 	<p>(D) 12x Washer M6 x 13mm</p> 	<p>(E) 18x 50mm M5 screw</p> 
<p>(F) 1x Adjustable Foot</p> 	<p>(G) 1x spanner</p> 	<p>(H) 1x M5 allen key</p> 	<p>(I) 1x M4 allen key</p> 	<p>(J) 28x Single Plastic Cap</p> 
<p>(K) 28x Double Plastic Cap</p> 				

Step 1

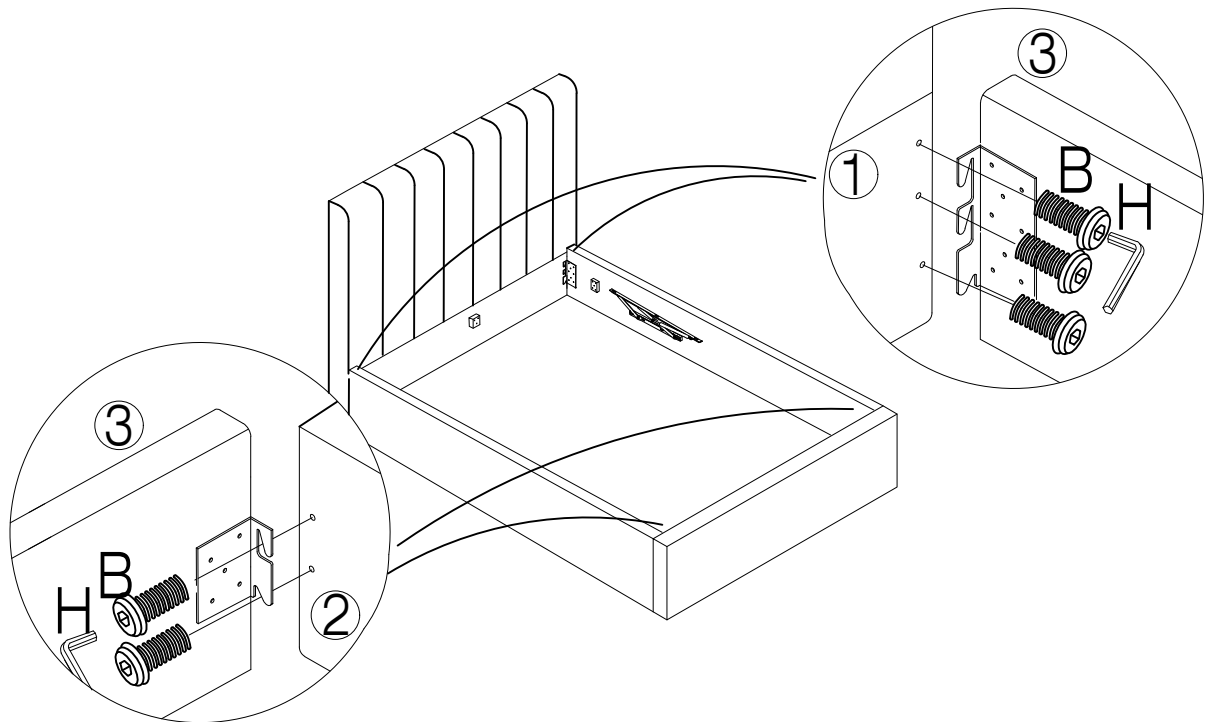
E
6x
50mm M5 screw



Step 2

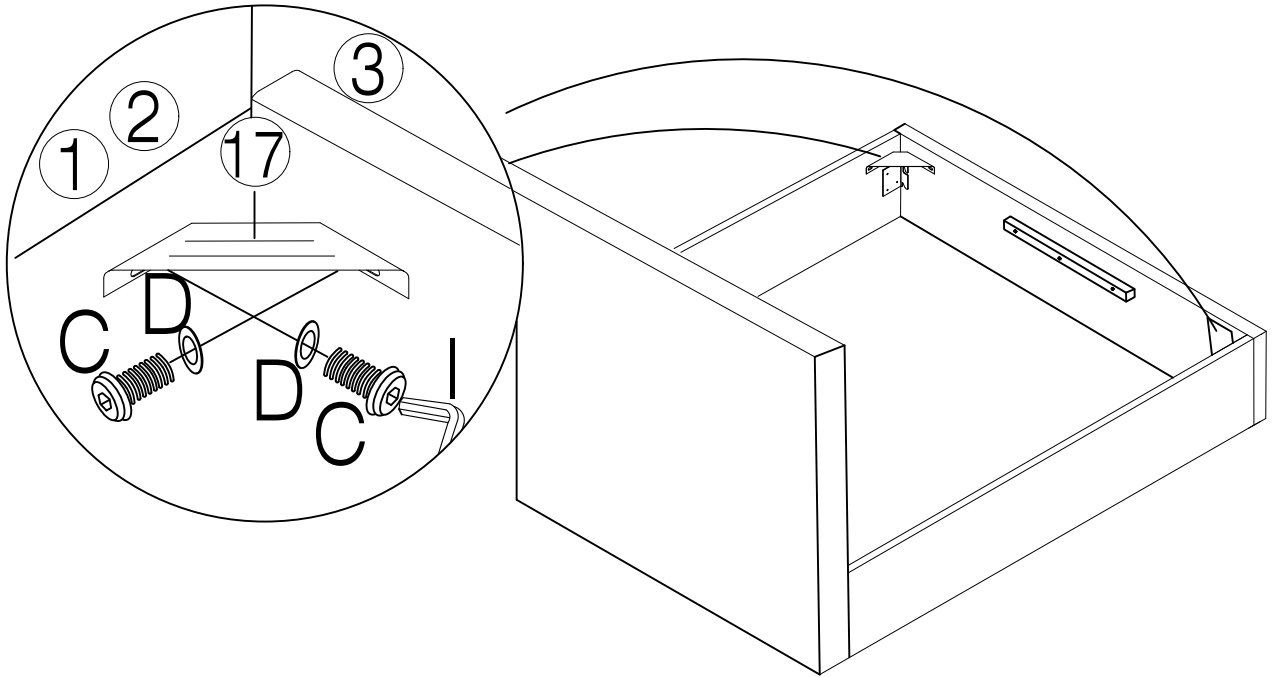
B
10x
30mm M8 bolt

H
1x
M5 allen key



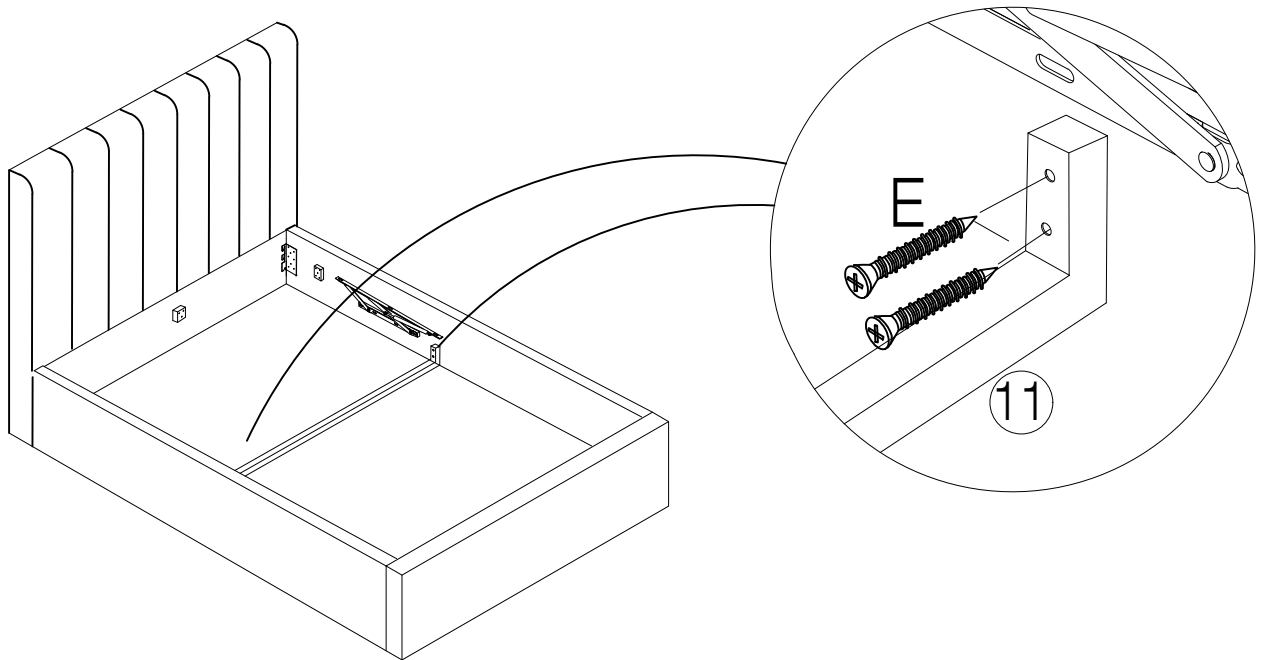
Step 3

<p>Ⓒ 4x 30mm M6 bolt</p>	<p>Ⓓ 4x Washer M6 x 13mm</p>	<p>Ⓘ 1x M4 allen key</p>		
----------------------------------	--------------------------------------	----------------------------------	--	--



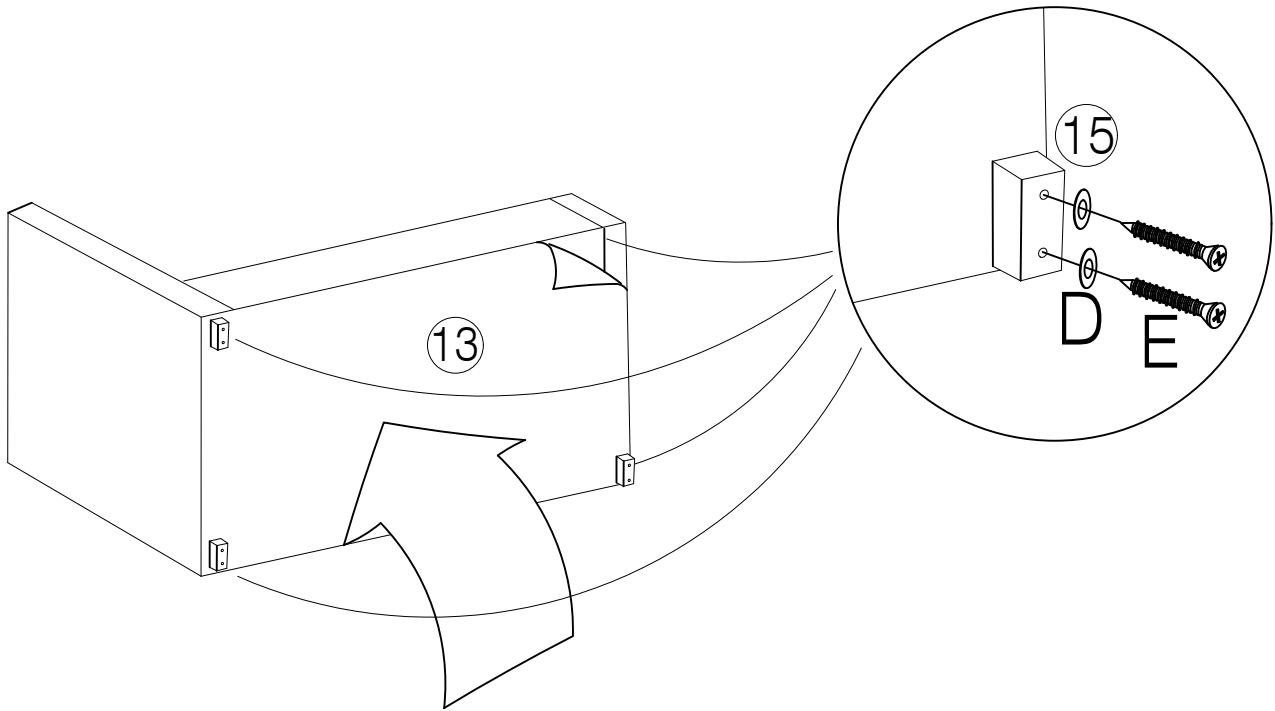
Step 4

<p>Ⓔ 4x 50mm M5 screw</p>				
-----------------------------------	--	--	--	--



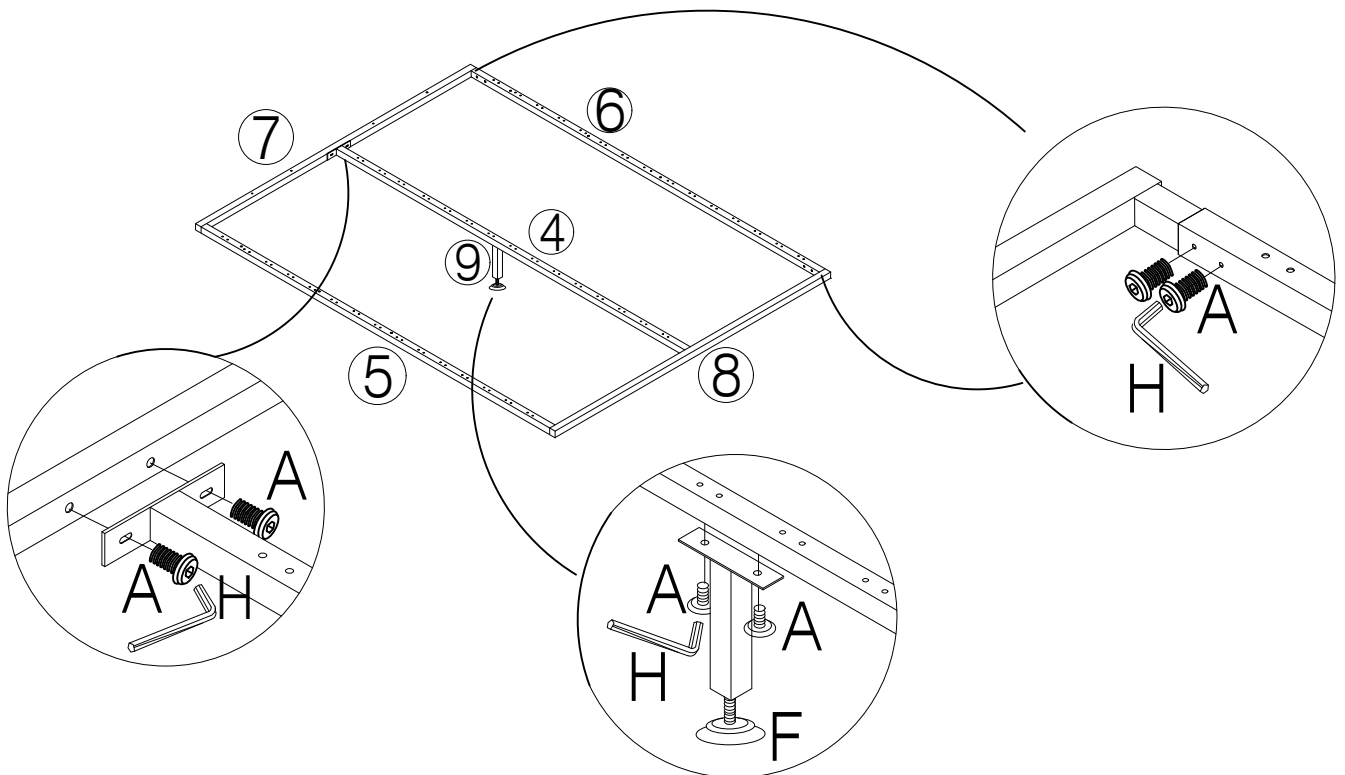
Step 5

D 8x Washer M6 x 13mm	E 8x 50mm M5 screw			
------------------------------------	---------------------------------	--	--	--

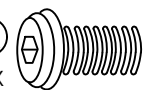



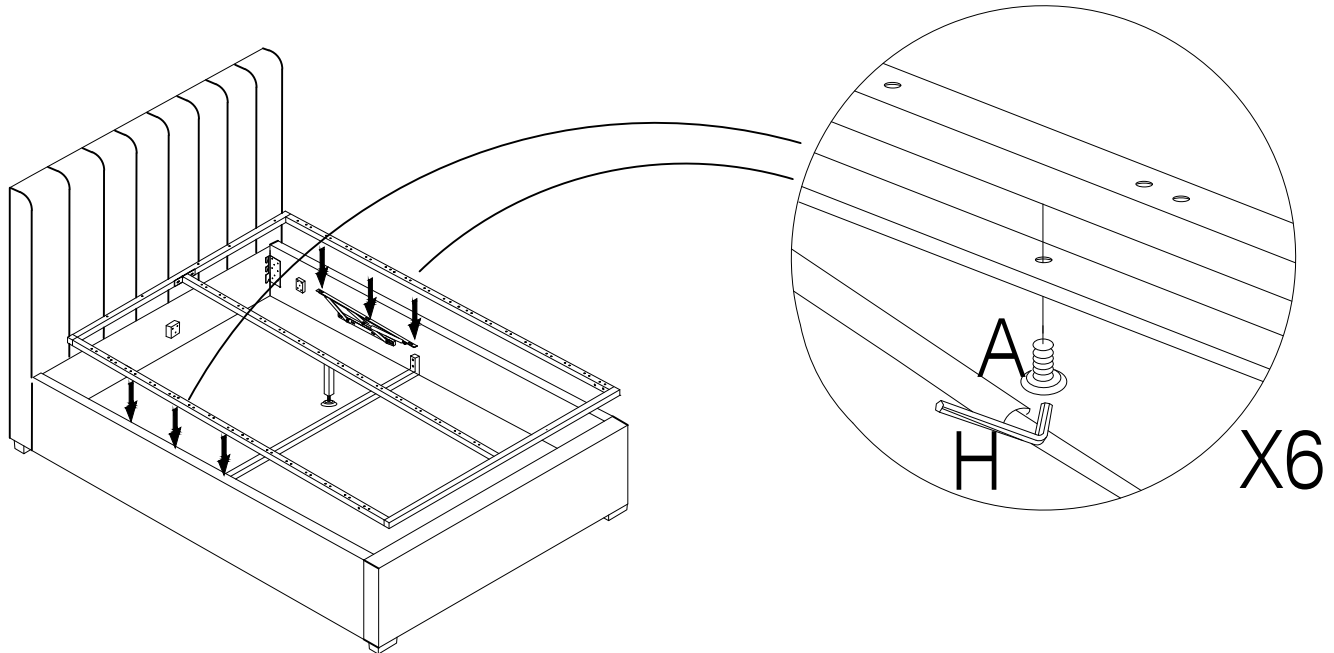
Step 6

A 14x 16mm M8 bolt	F 1x Adjustable Foot	H 1x M5 allen key		
---------------------------------	-----------------------------------	--------------------------------	--	--



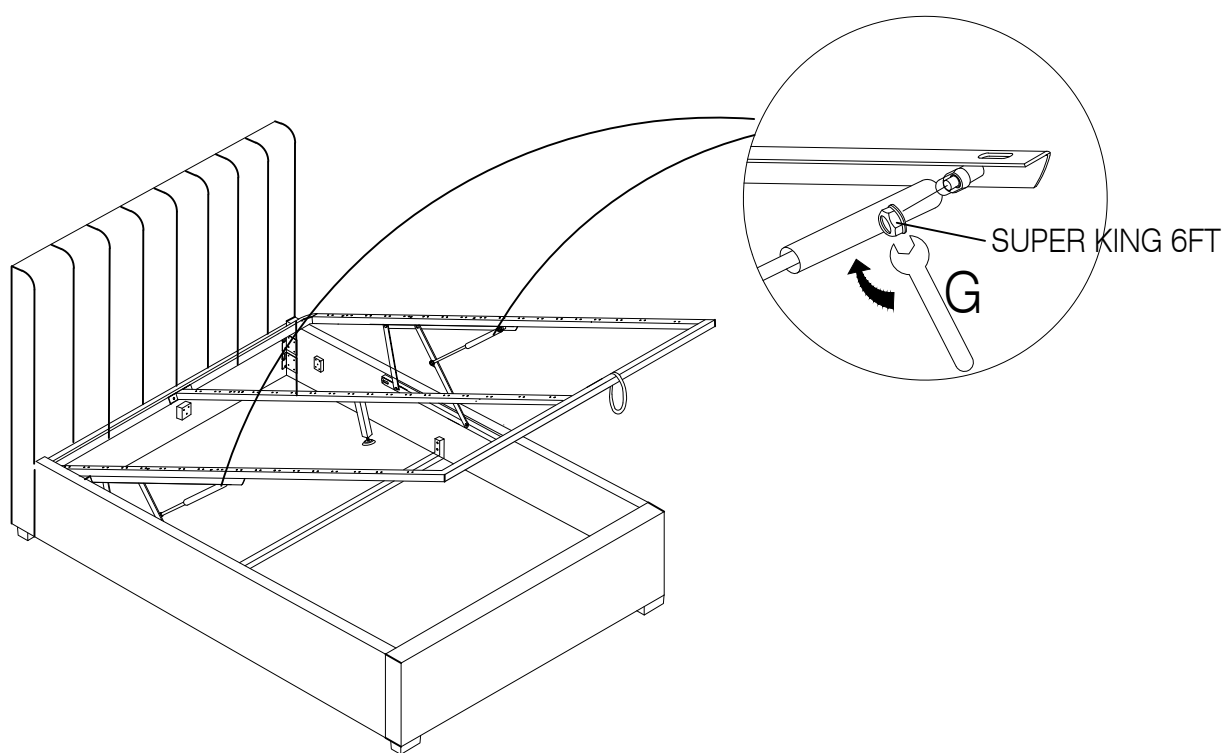
Step 7

<p>Ⓐ</p>  <p>6x 16mm M8 bolt</p>	<p>Ⓗ</p>  <p>1x M5 allen key</p>			
--	--	--	--	--

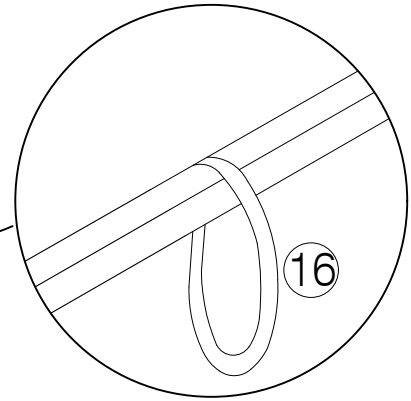
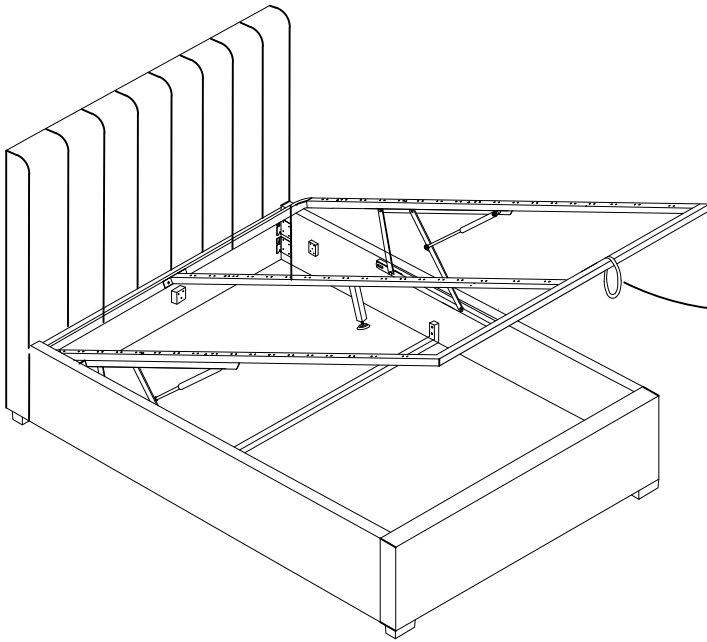
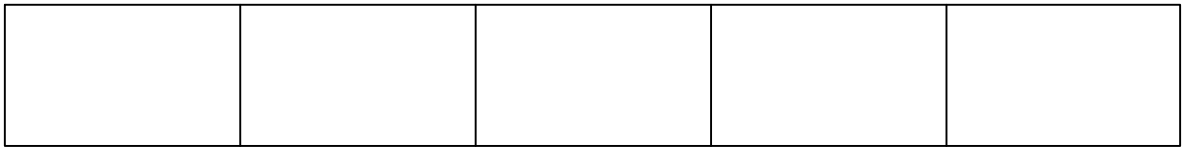


Step 8

<p>Ⓒ</p>  <p>1x spanner</p>				
--	--	--	--	--



Step 9



Step 10

